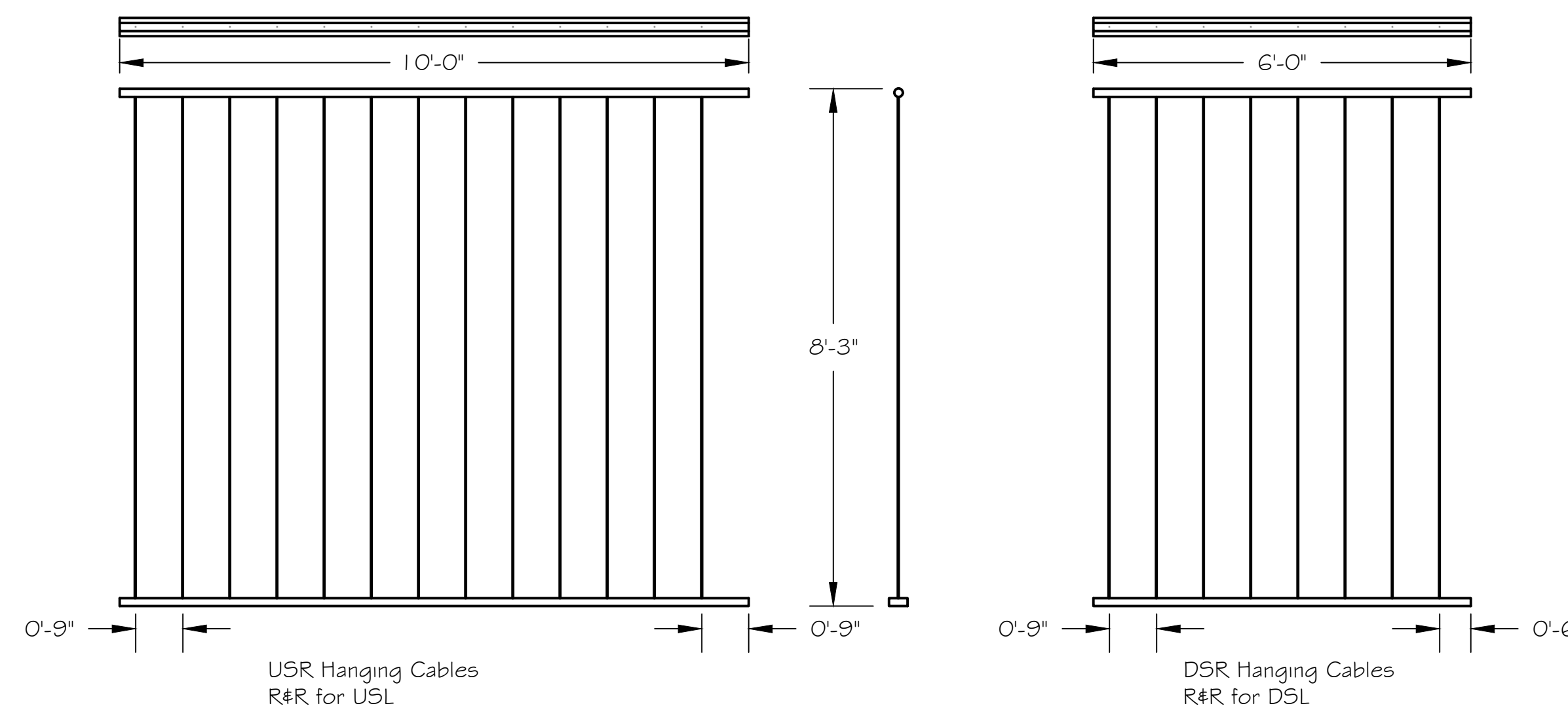
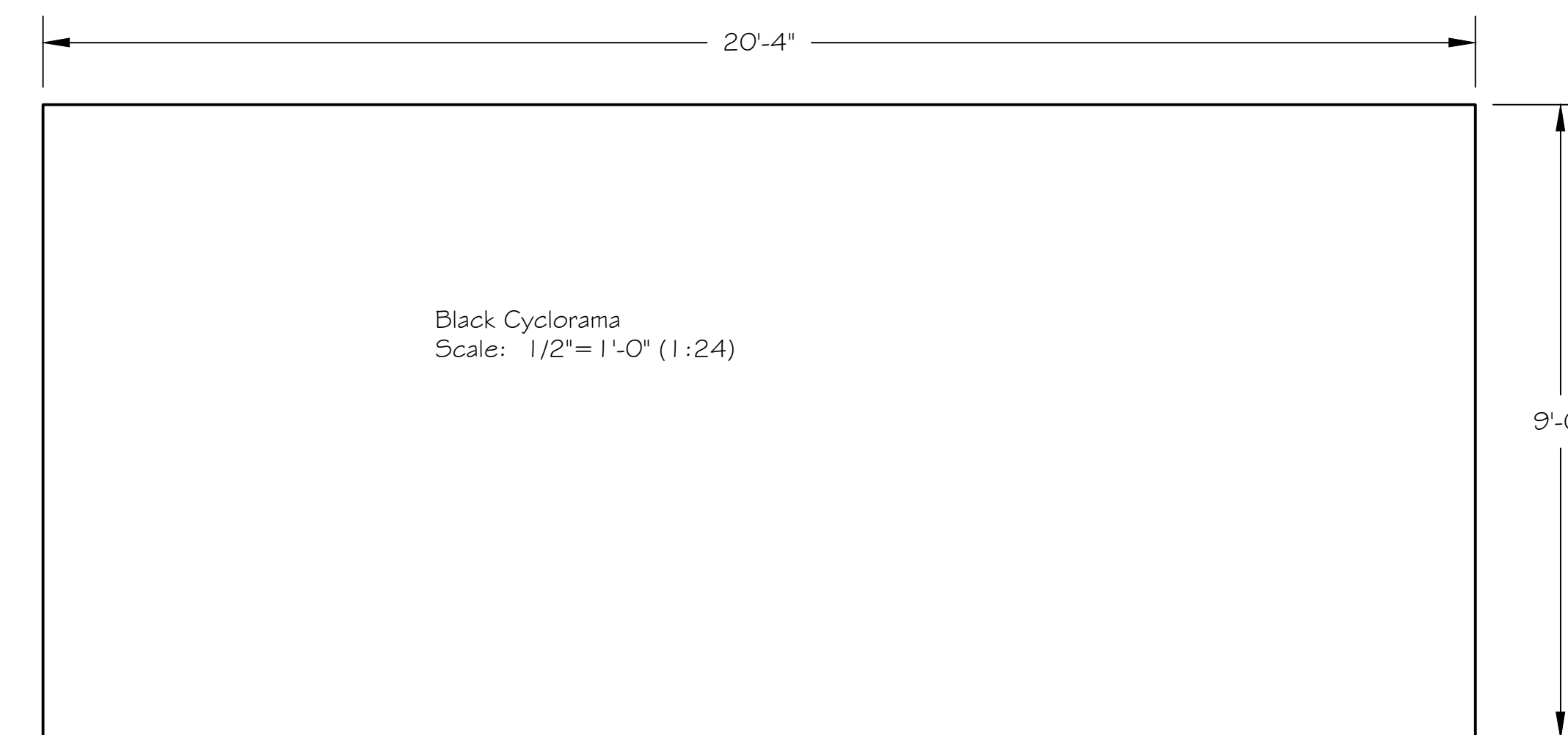
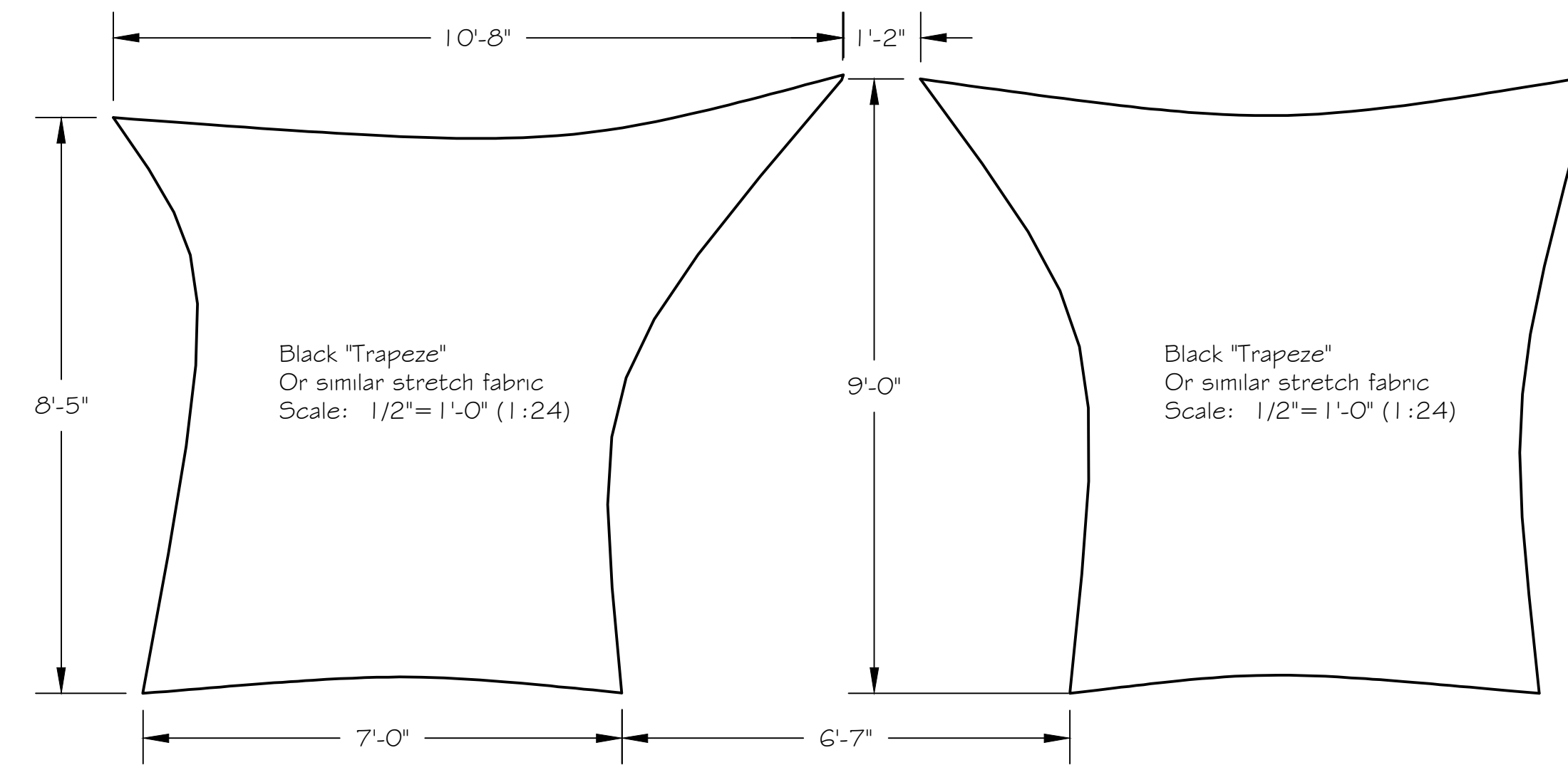
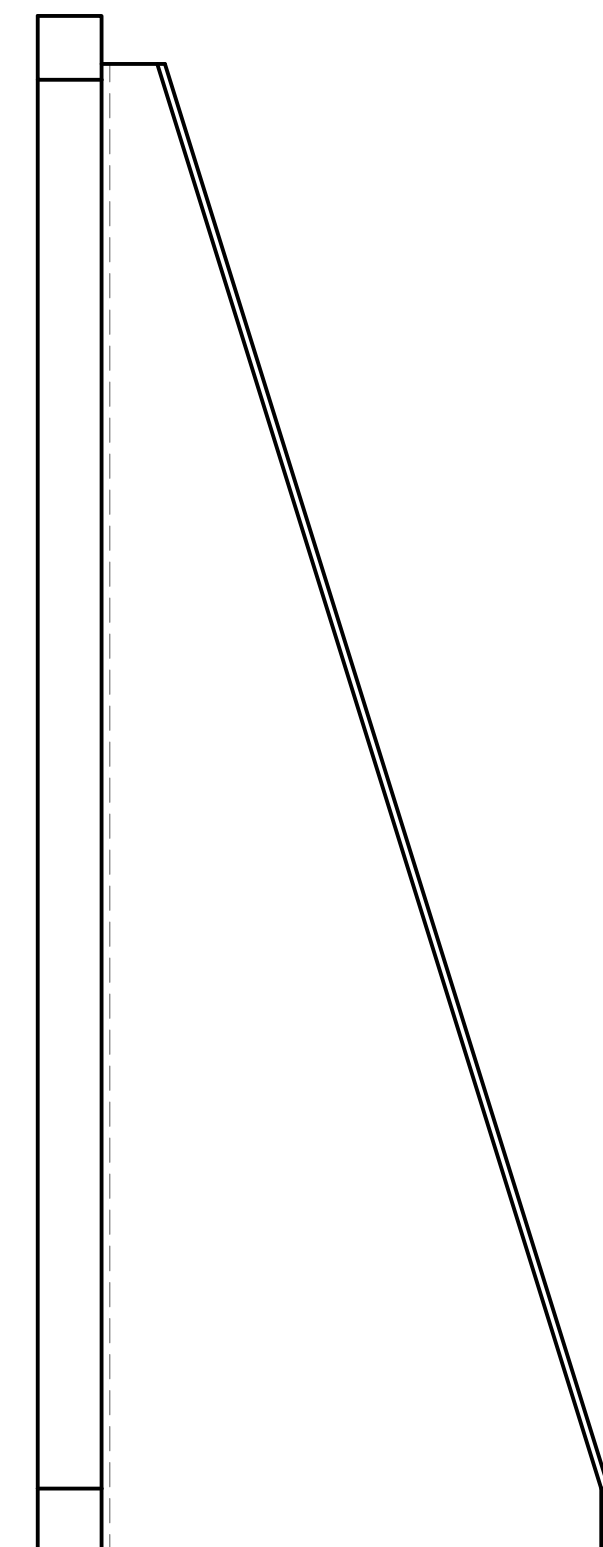


Stage Right Panel
Scale: 1" = 1'-0" (1:12)
Reverse and Repeat for Stage Left
Audience Face and Sides will be finished with Paint.



Scale: 1/2" = 1'-0" (1:24)
Use 1.5" Pipe at top and 2x4 at base. Attach pipe to grid.
Attach 2x4 to floor so cables are taught. Different Hooks and
bags, etc. will be attached to cables to "Hang" props some of
which will be heavy.
Paint Pipe and 2x4 Black.

This is a representation of design concepts only! The designer takes no responsibility, and herewith disclaims liability, for the erection, engineering and/or use of any component or concept shown on this or any other drawing. It is the responsibility of the vending companies to erect this design using properly engineered and approved materials, components and methods, including but not limited to local building, fire and safety codes, and all applicable O.S.H.A. standards.

All concepts, ideas, and design elements shown on this drawing and any other documentation are the exclusive intellectual property of Scenographix, Ltd., and may only be used for this project. Any other use is prohibited, unless express written permission has been granted by Scenographix, Ltd.

The Good Doctor
All Shades of Blue
Greenhouse Theatre - Upstairs
Scenic Pieces



ACCOUNT EXECUTIVE

DRAWN BY
T McClellan

DATE
21 December 2015

SCALE:
As Noted

DRAWING NUMBER

4

DRAWING DATA