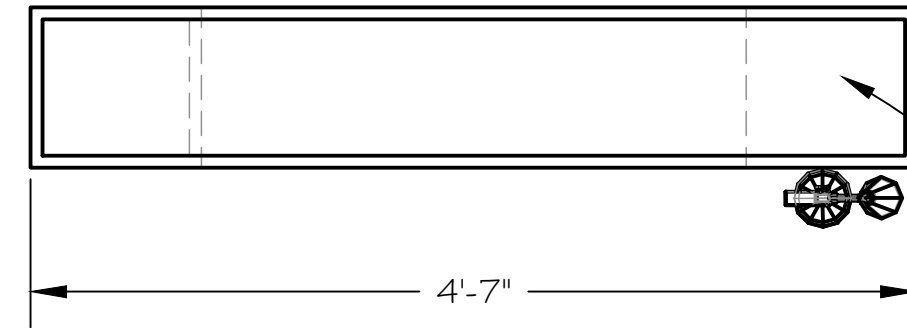
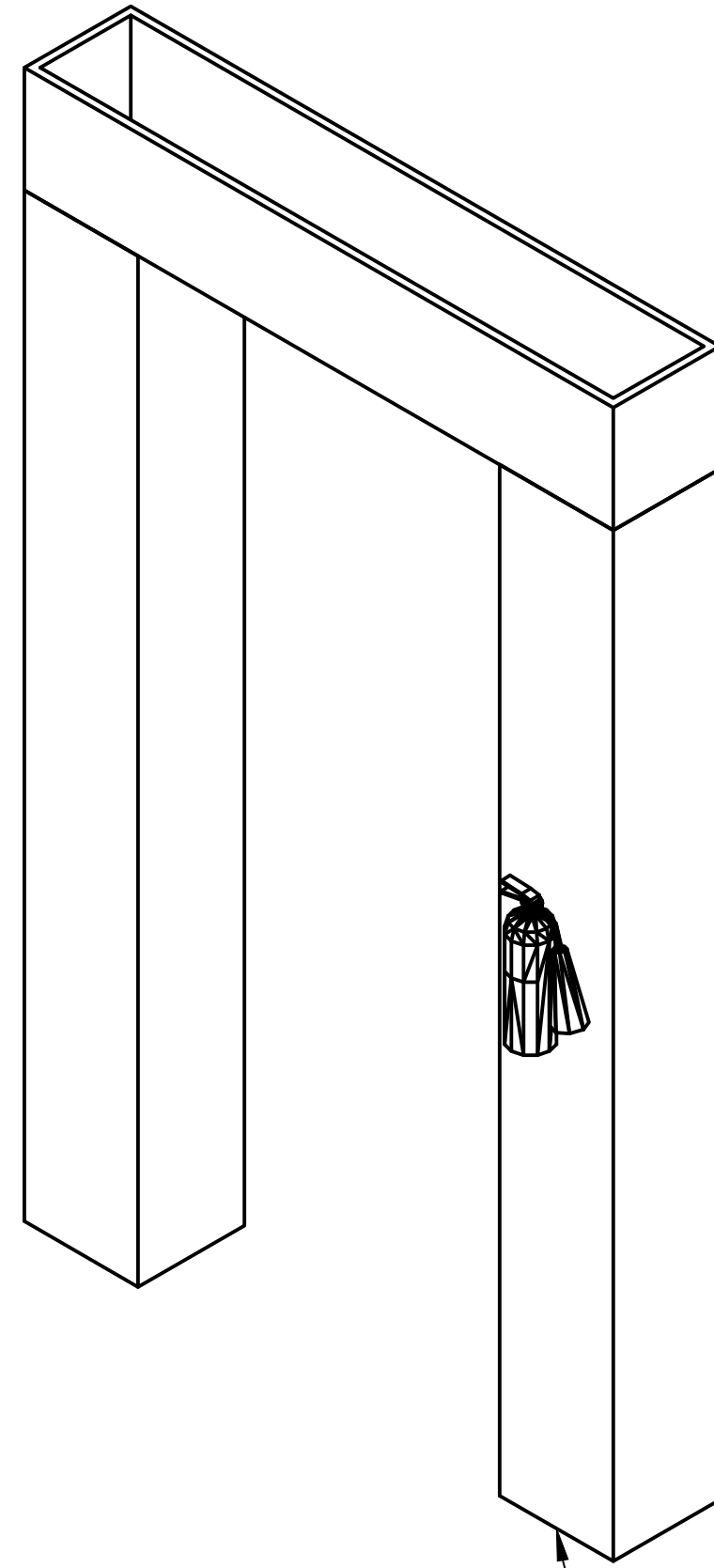


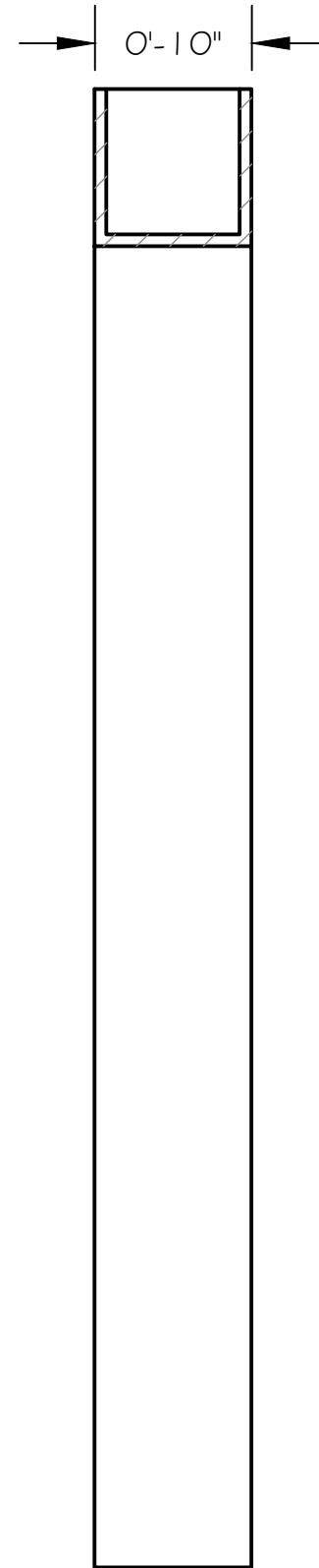
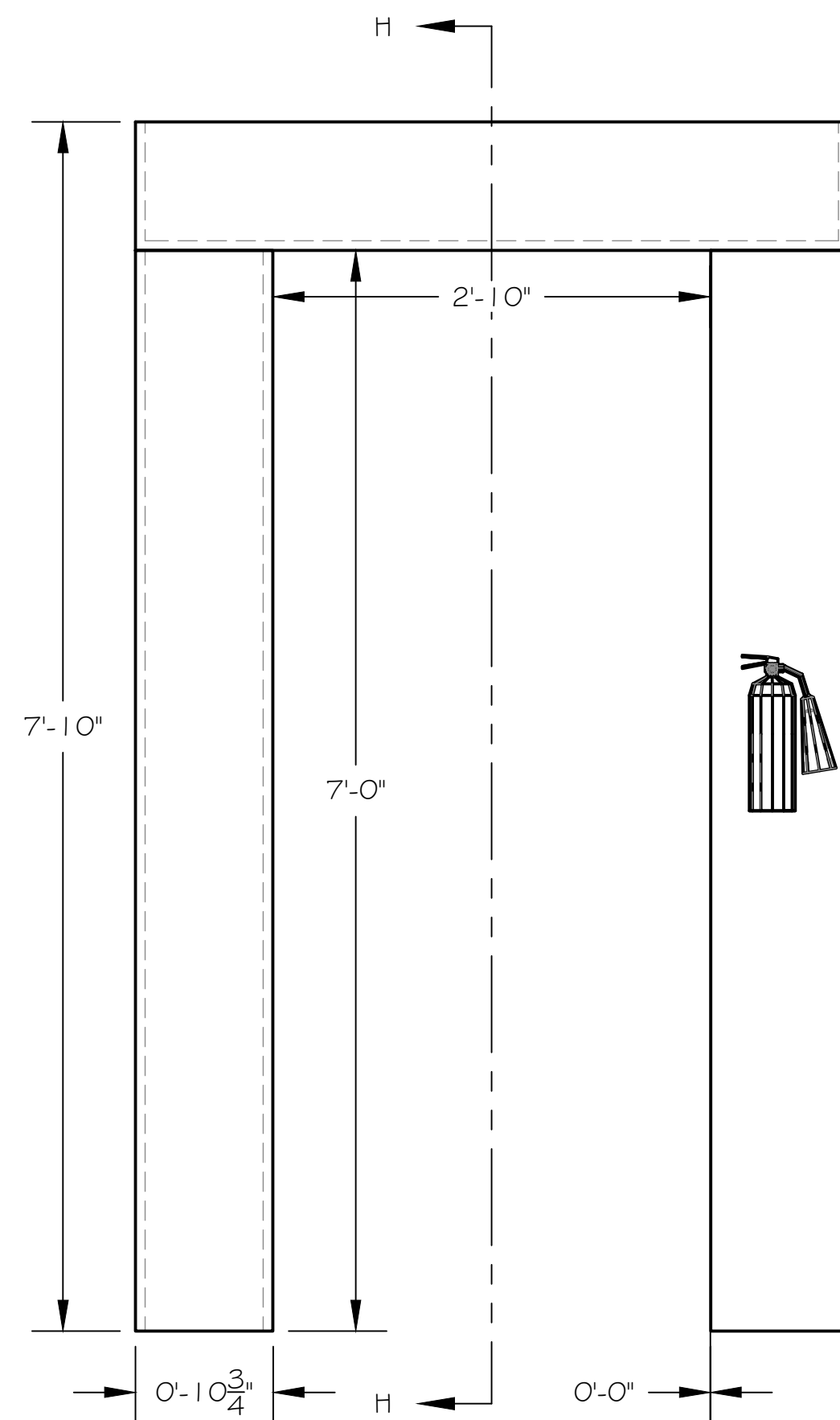
This is a representation of design concepts only! The designer takes no responsibility, and herewith disclaims liability, for the erection, engineering and/or use of any component or concept shown on this or any other drawing. It is the responsibility of the vending companies to erect this design using properly engineered and approved materials, components and methods, including but not limited to local building, fire and safety codes, and all applicable O.S.H.A. standards.

All concepts, ideas, and design elements shown on this drawing and any other documentation are the exclusive intellectual property of Scenographix, Ltd., and may only be used for this project. Any other use is prohibited, unless express written permission has been granted by Scenographix, Ltd.

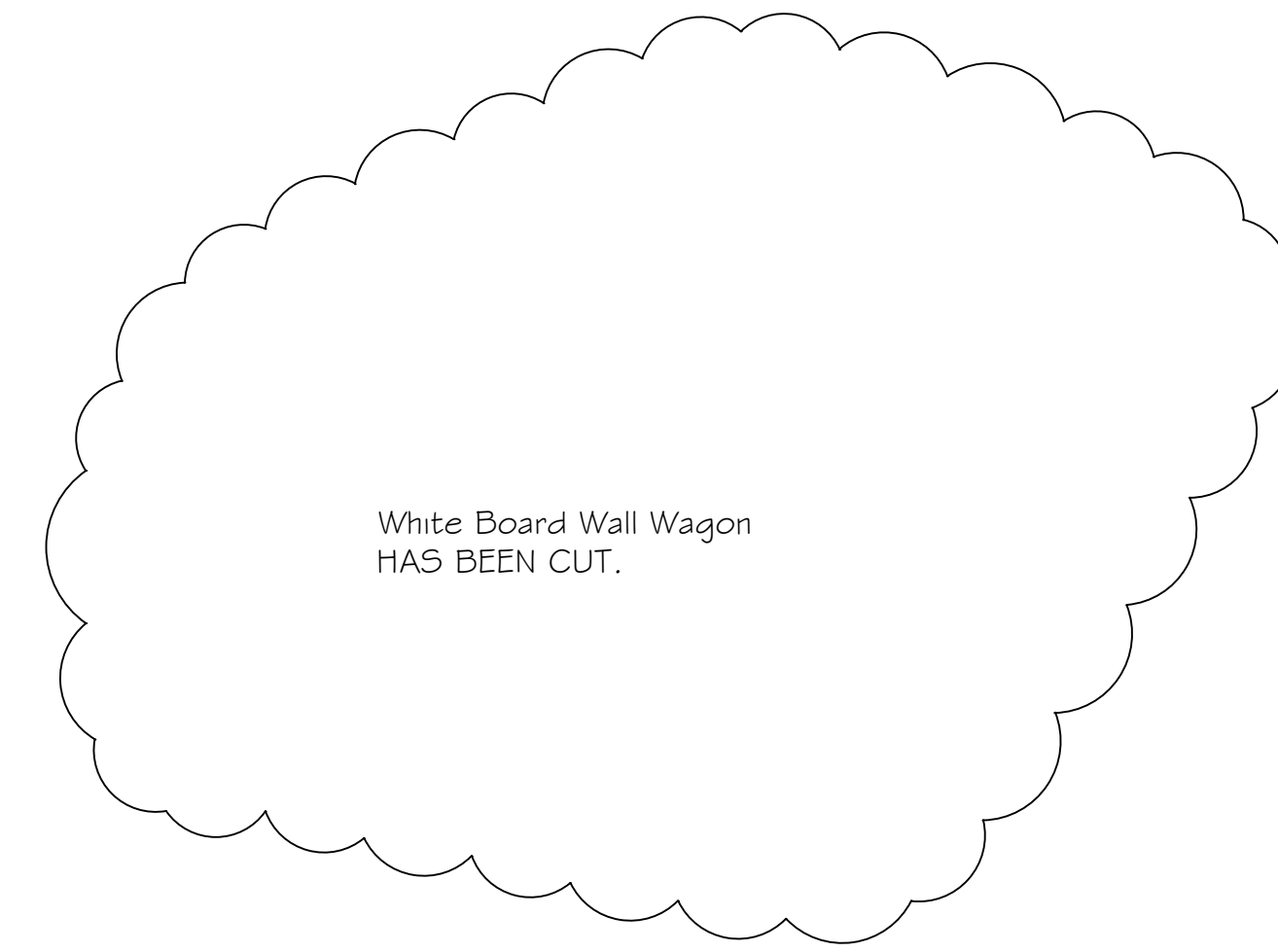
Center Portal
Portal S.I. Column is wrapped around the Venue Column. Attach Spacers inside the structure to keep the portal stable around the column.
The portal will be painted with a textured dark color, the same as the Stage Left Wall Portal.
A Fire Extinguisher is attached to the portal as shown.



Build this around Venue Column



SECTION H-H
SCALE 1" = 1'-0"



The Memo
Greenhouse Theatre - Upstairs
Center Portal and White Board Wall



Director
Bryan Wakefield
Designer
T McClellan
DATE
18 January 2019
SCALE:
1"=1'-0" (1:12)
DRAWING NUMBER

6

DRAWING DATA