

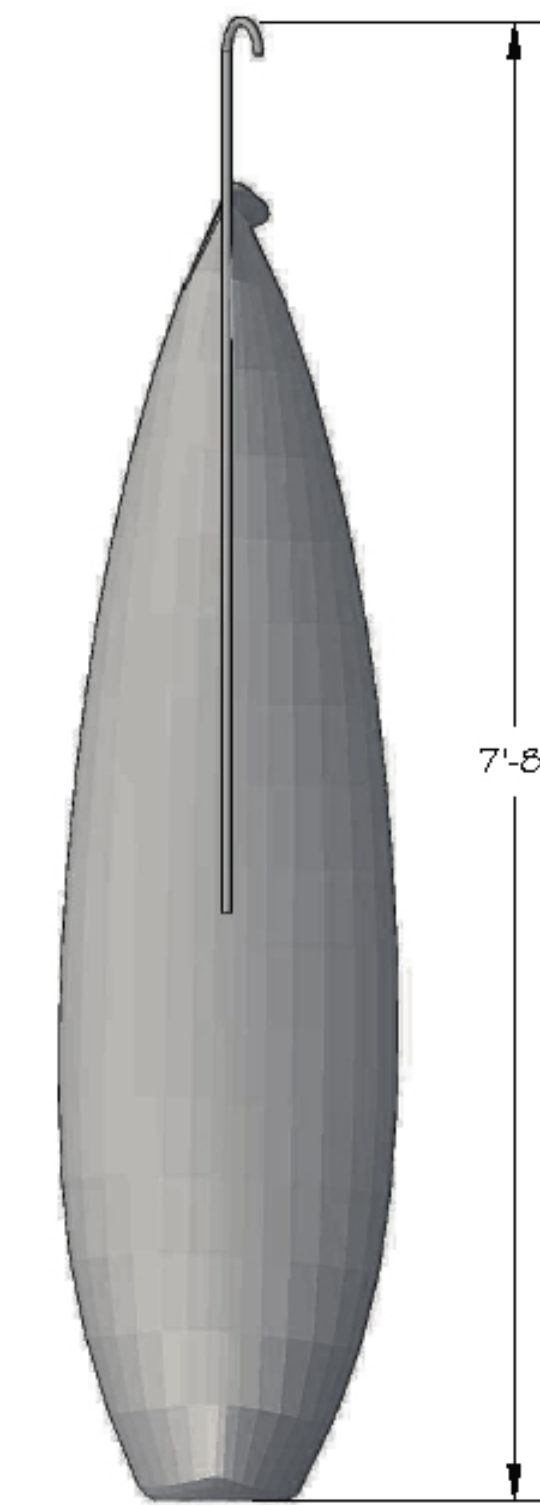
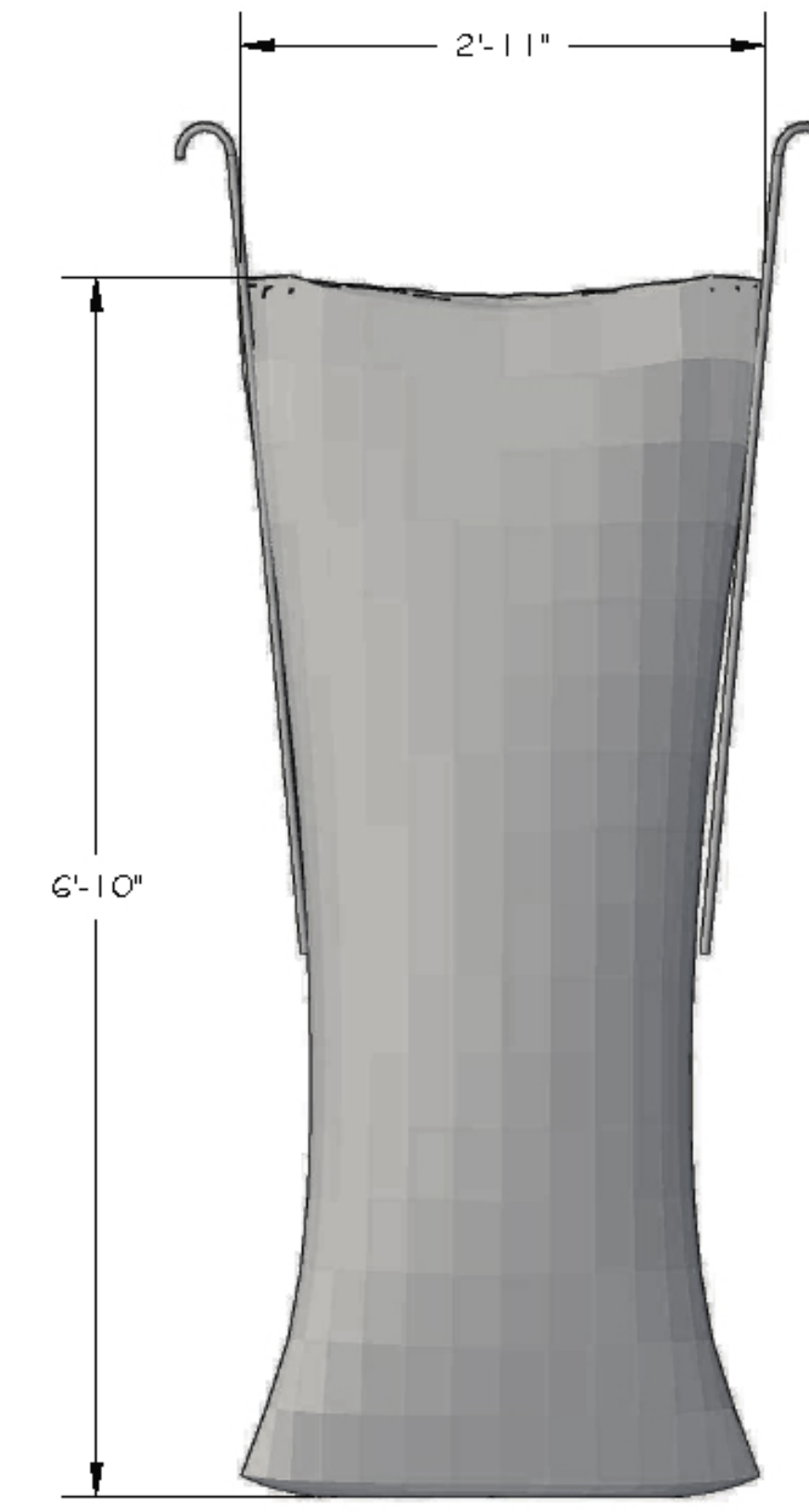
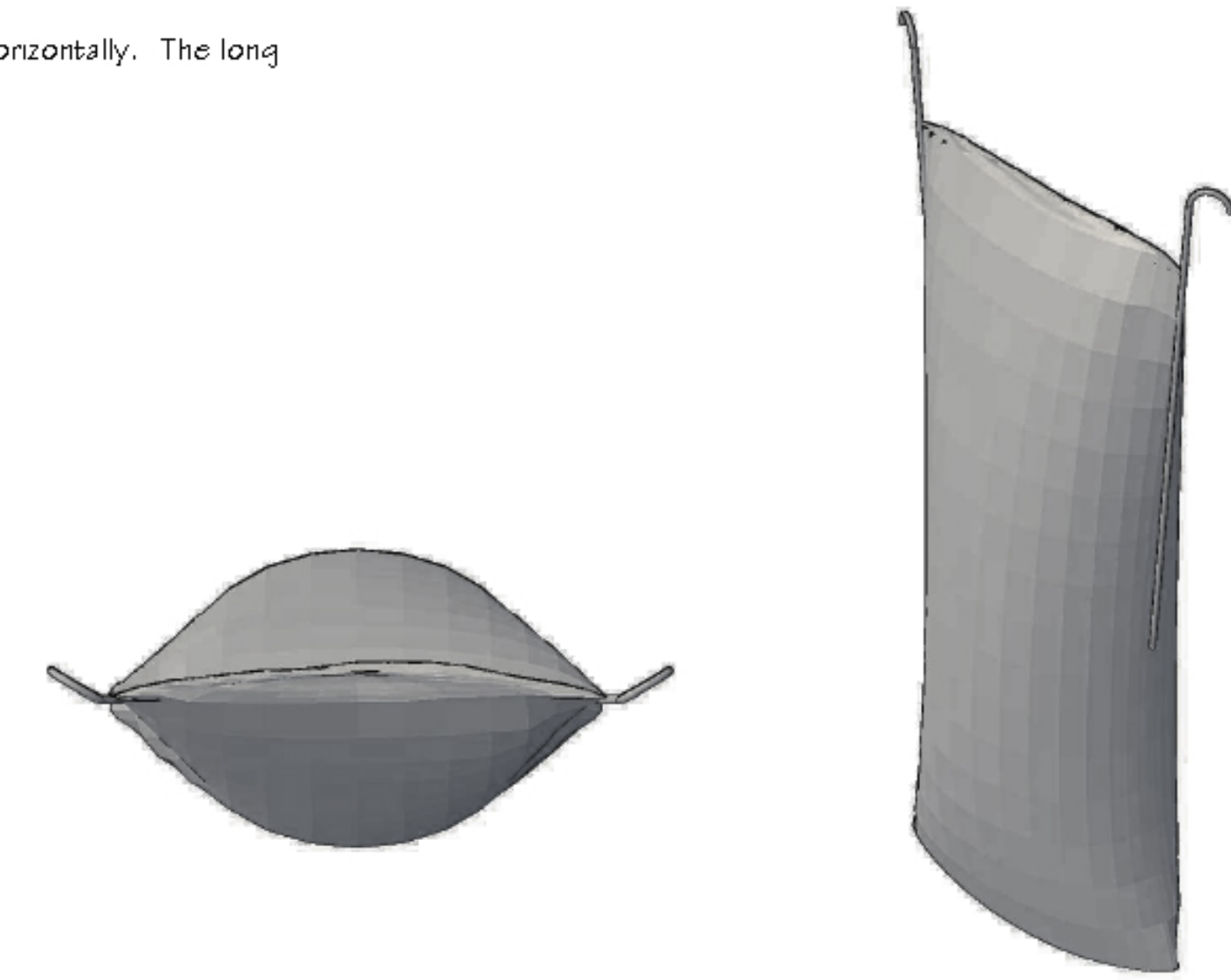
Pillows
 Pillows are made from flat bags filled with a loose material that can but does not easily roll around itself (Bags should have a tendency to keep their shape when changing position). Fill material should not fall to bottom of bag so top is significantly emptier.

Outside of bag will be dirty, heavy, white canvas.

Outside corner of pillows will have hooks attached as shown. The hooks have rods attached to them so they can be carried, swung, and whipped around by the cast. They will hang from the grid in positions to be determined through rehearsal. Be prepared to create more "hooking" positions in the ceiling. The hooks should be attached in the top approximately 12" so the bottom of the rod can be pulled away from the body of the pillow bag.

The large pillows are a series of separate pillows connected horizontally. The long edges can be sewn together or otherwise similarly attached. Create two large Pillows.

The small pillows are single pillows. Create 3 small pillows.



This is a representation of design concepts only! The designer takes no responsibility, and herewith disclaims liability, for the erection, engineering and/or use of any component or concept shown on this or any other drawing. It is the responsibility of the winning company to select their design using properly engineered and approved materials, components and methods, including but not limited to local building, fire and safety codes, and all applicable O.S.H.A. standards.

All concepts, ideas, and design elements shown on this drawing and any other documentation are the exclusive intellectual property of Scenographic, Ltd., and may only be used for this project. Any other use is prohibited, unless express written permission has been granted by Scenographic, Ltd.

EMILIE
 Greenhouse Theatre - Downstairs Studio
 Pillow Details



ACCOUNT EXECUTIVE	DRAWING NUMBER
DRAWN BY T McClellan	4
DATE 22 March 2017	
SCALE 1" = 1'-0" (1:12)	DRAWING DATA
REVISION NUMBER baqs2	22 March 2017