

This is a preliminary drawing of the proposed design. It is not intended to be used for construction. It is the responsibility of the contractor to verify all dimensions and materials. The contractor shall be responsible for all construction details, including but not limited to, framing, bracing, and all applicable OSHA standards.

All drawings, lists, and other documents are the property of the contractor. They shall not be used for any other purpose without the written consent of the contractor. Any drawings or documents that are not the property of the contractor shall be returned to the contractor immediately.

Revisions:

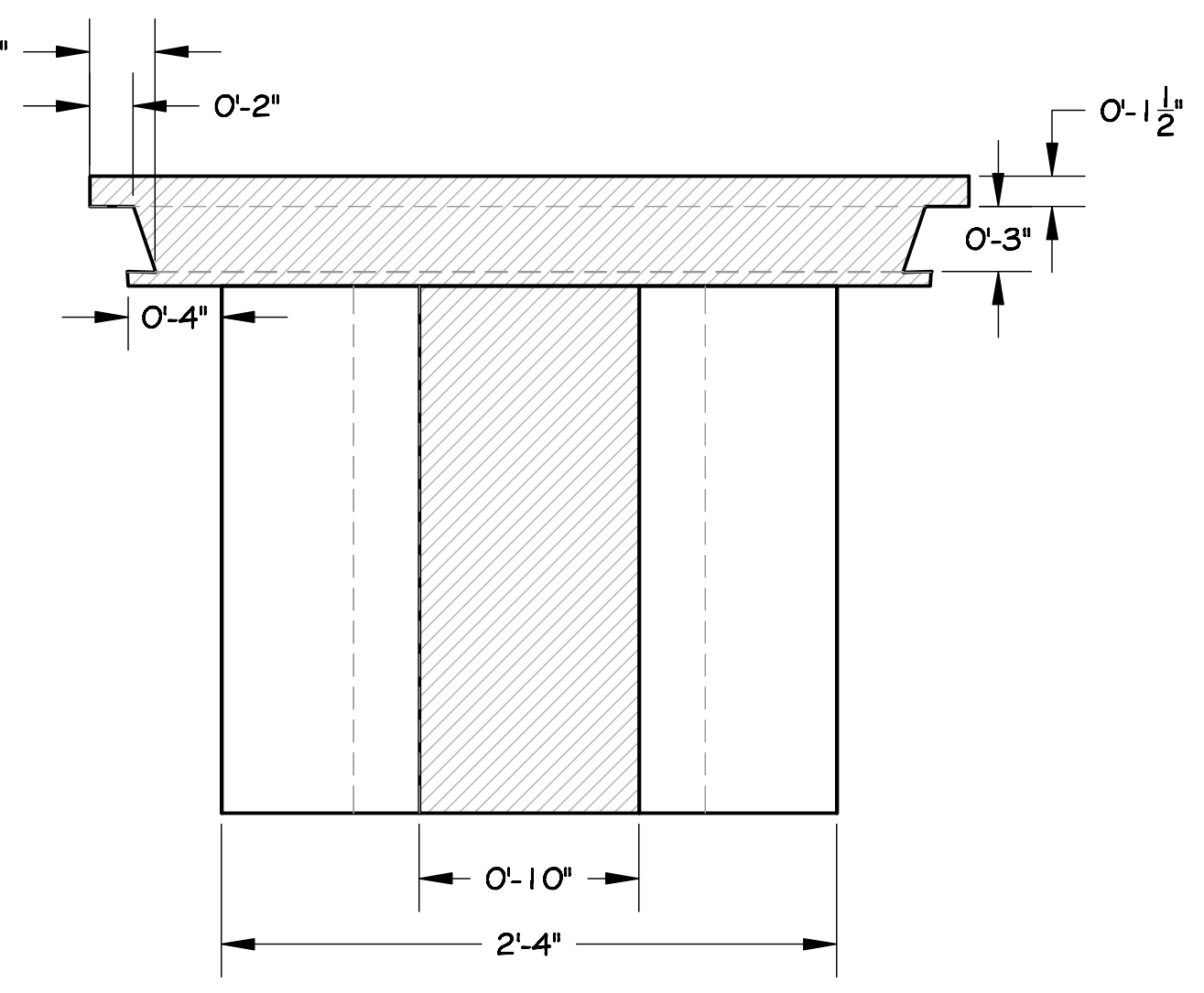
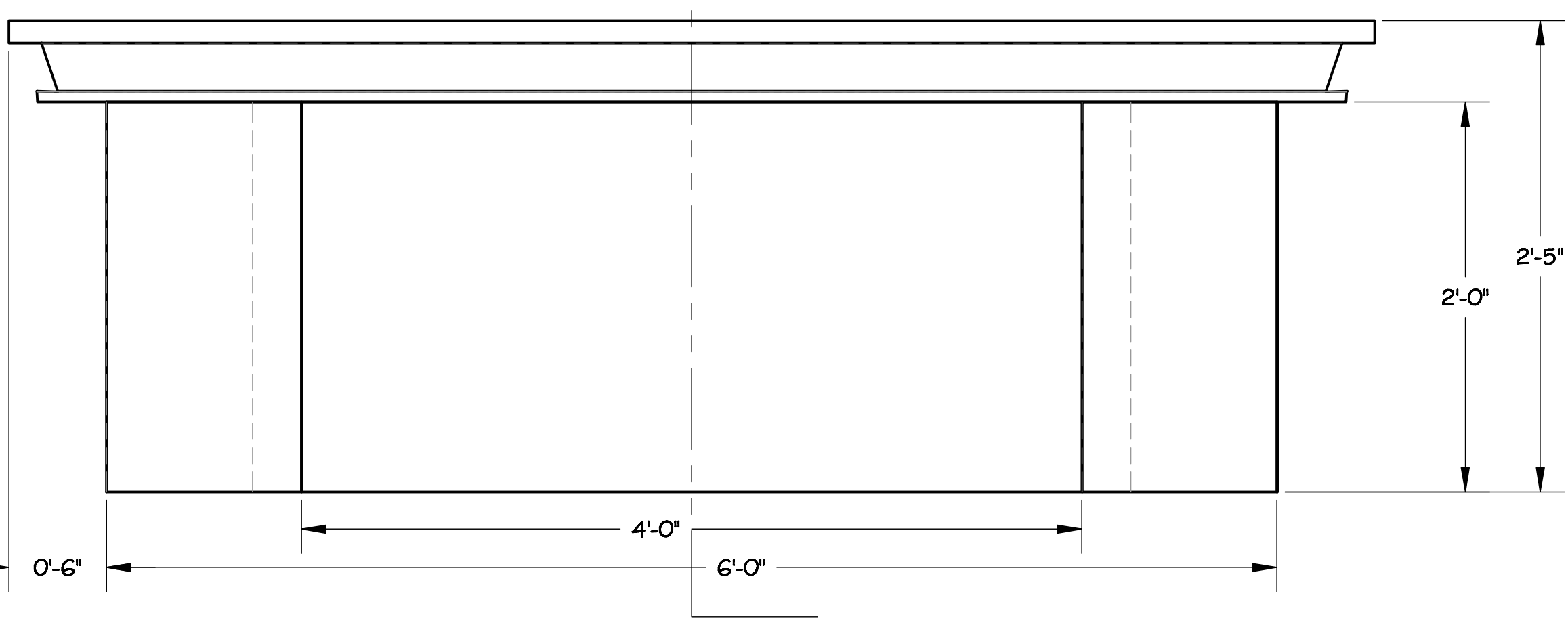
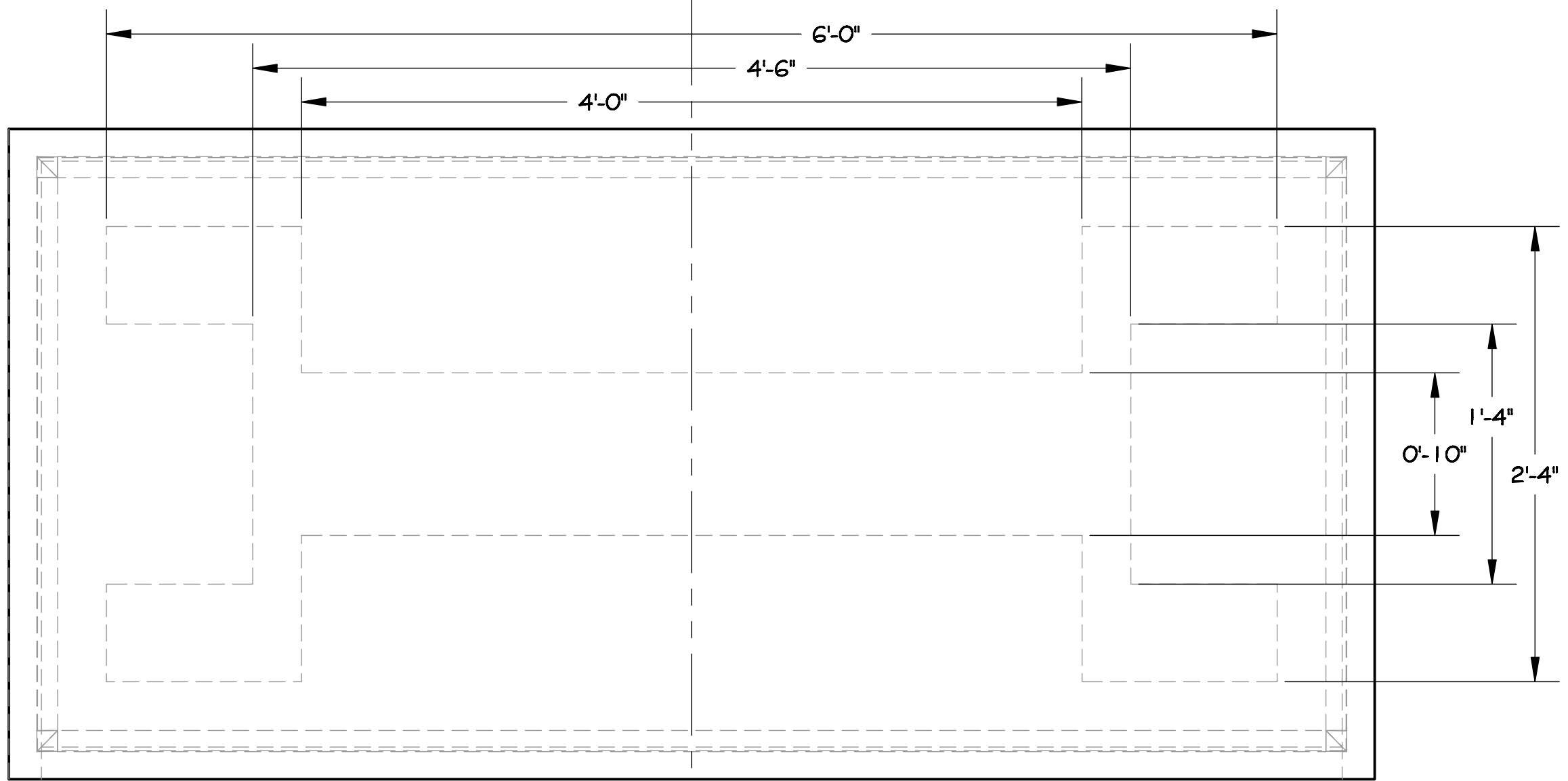
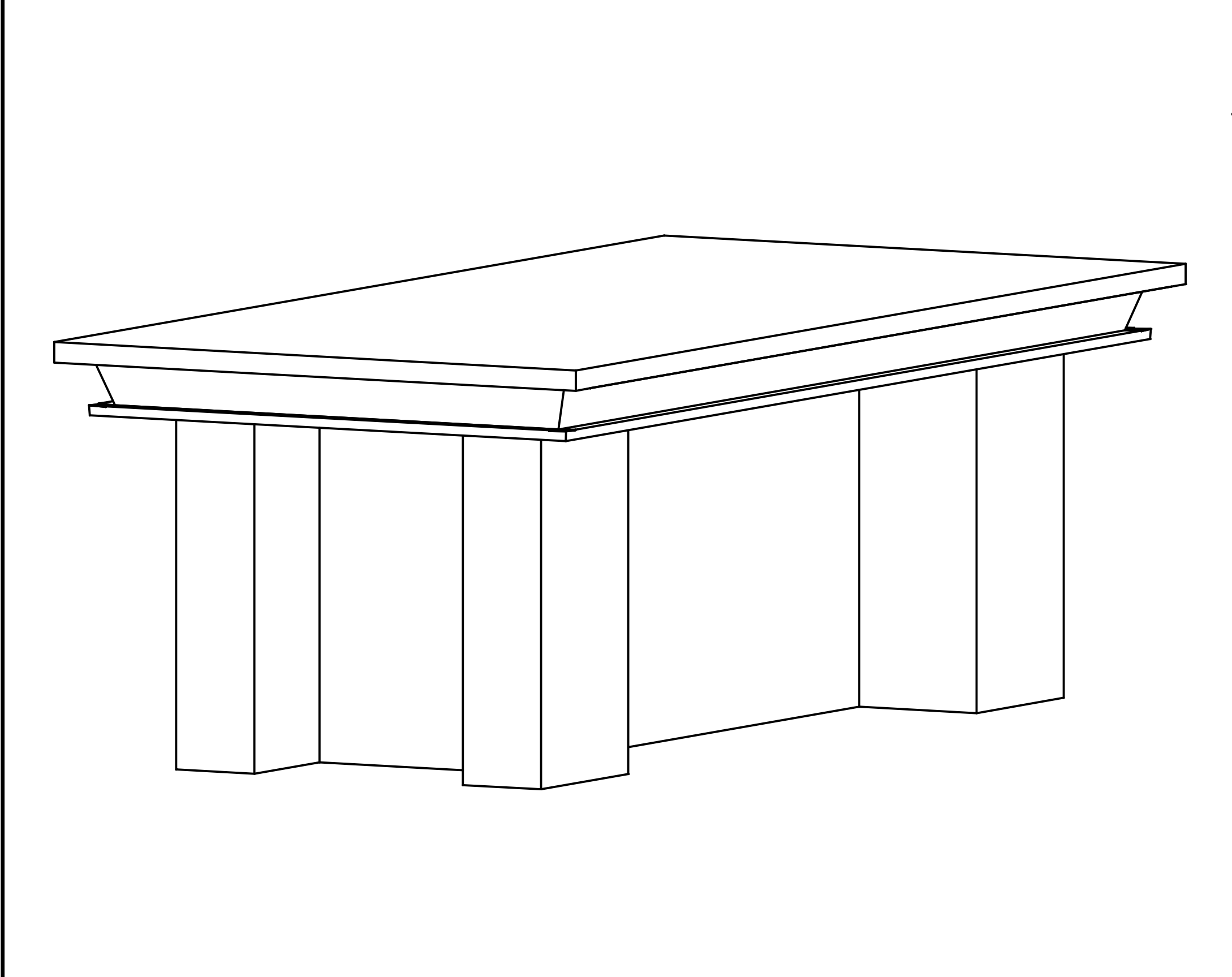


Table will look like a building.

The table top will be painted as a flat roof. Construct top from MDF.

The base will be painted with architectural details.

Table will be moved around, tipped on edges, stood upon, and generally "man-handled"

Build as light as possible and yet very strong.

La Costa Theatre - Chicago
Secret Agent

Table Details

Organic
Theatre
Company

Director
Alexander Galan

DRAWN BY
TJM

DATE
13 March 2008

SCALE:
1/2" = 1'-0"

DRAWING NUMBER
5

DRAWING DATA