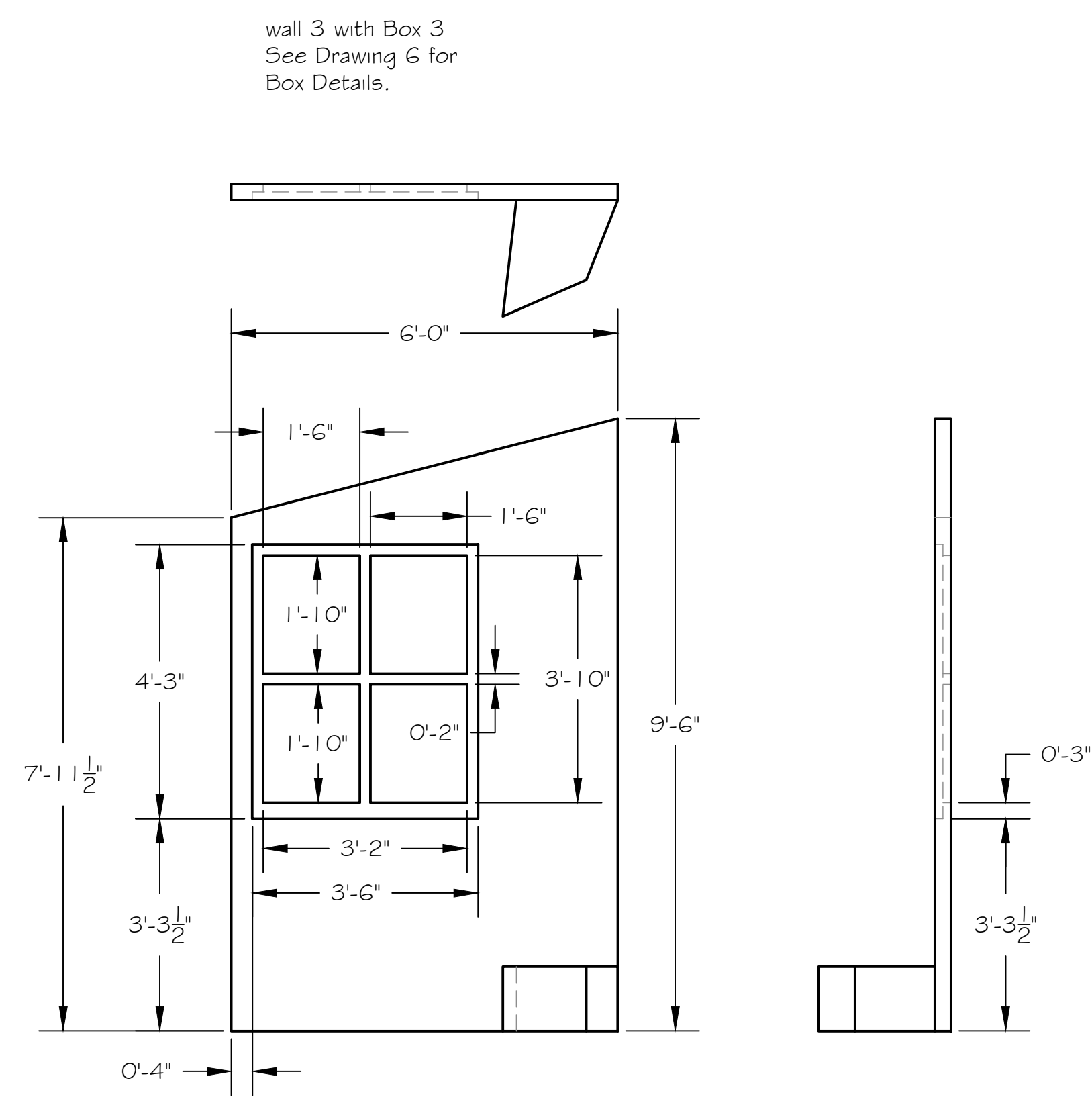
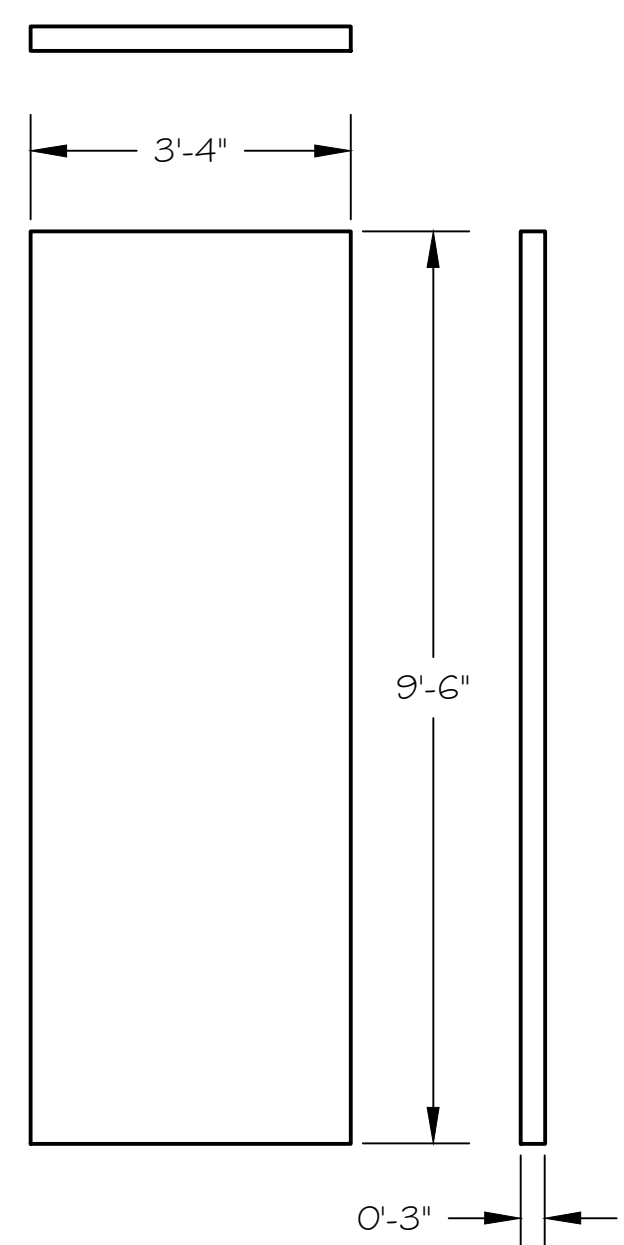
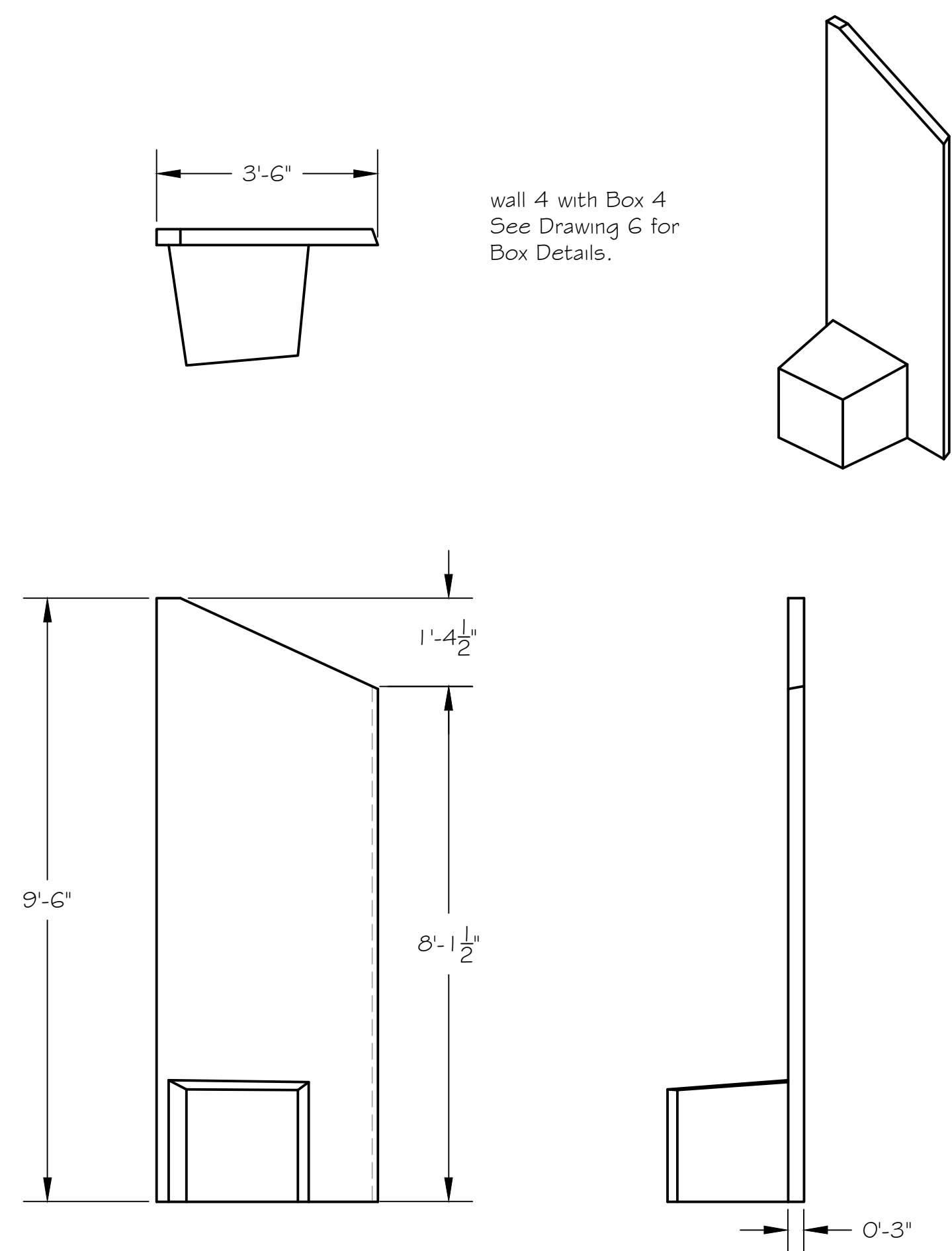
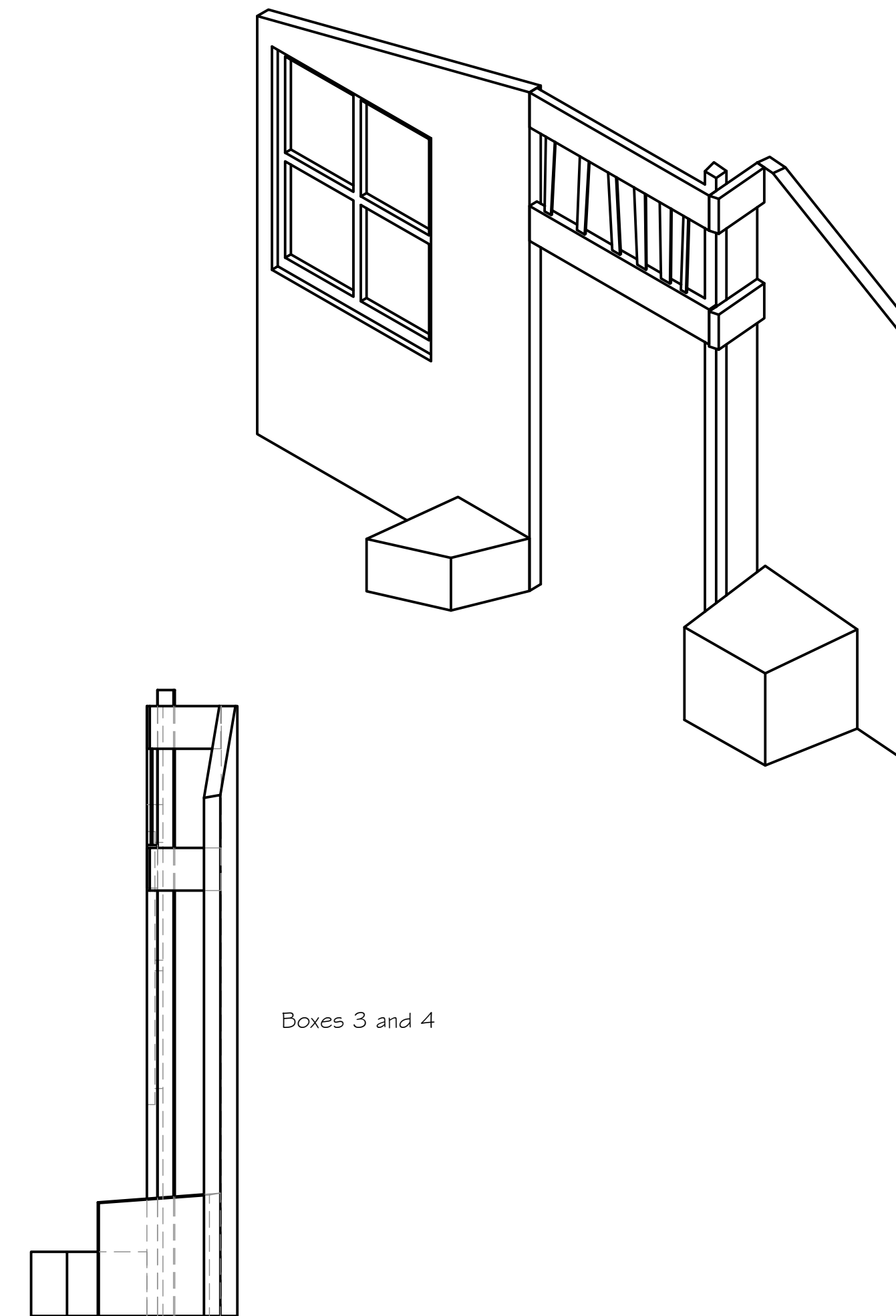
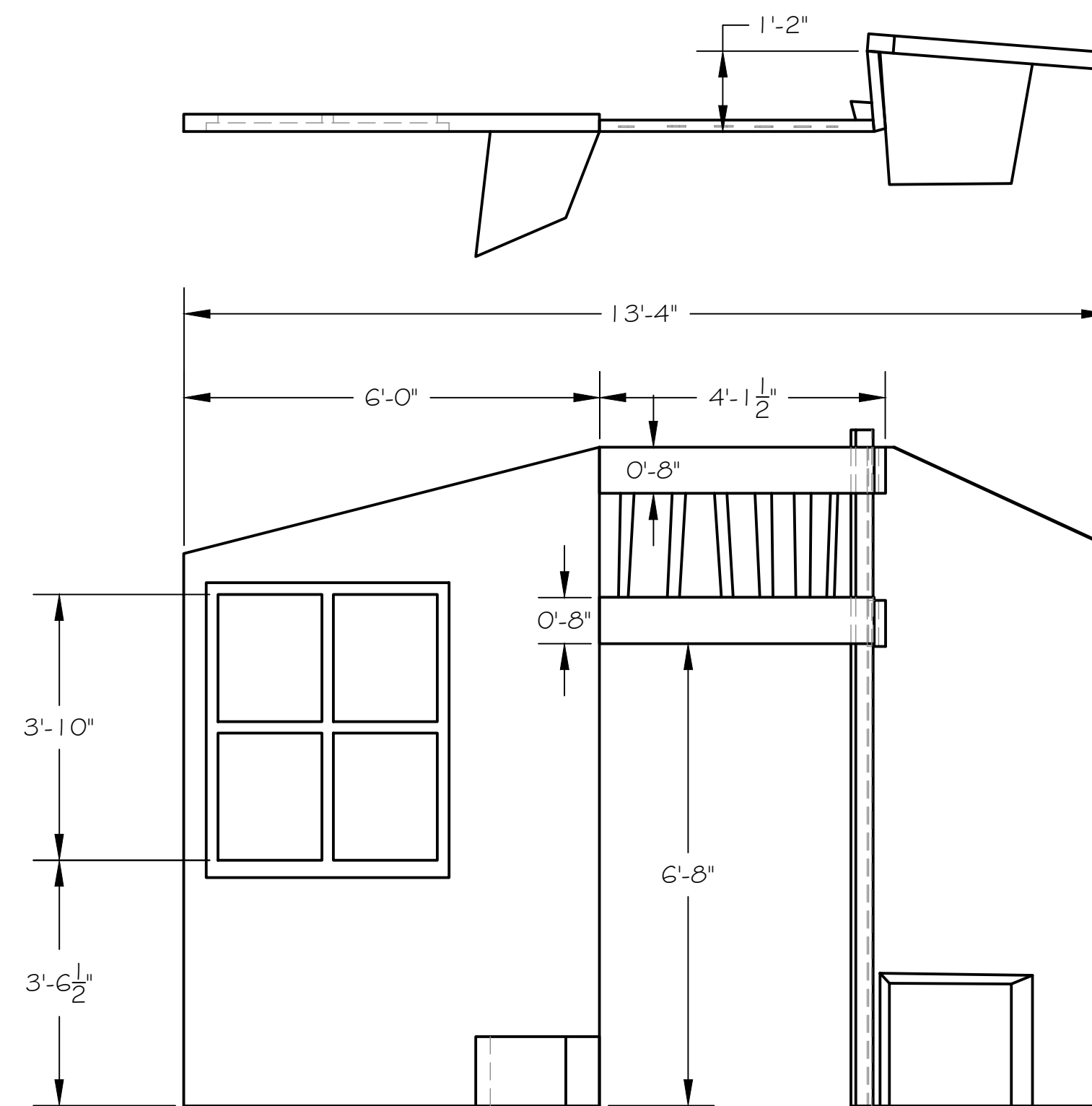
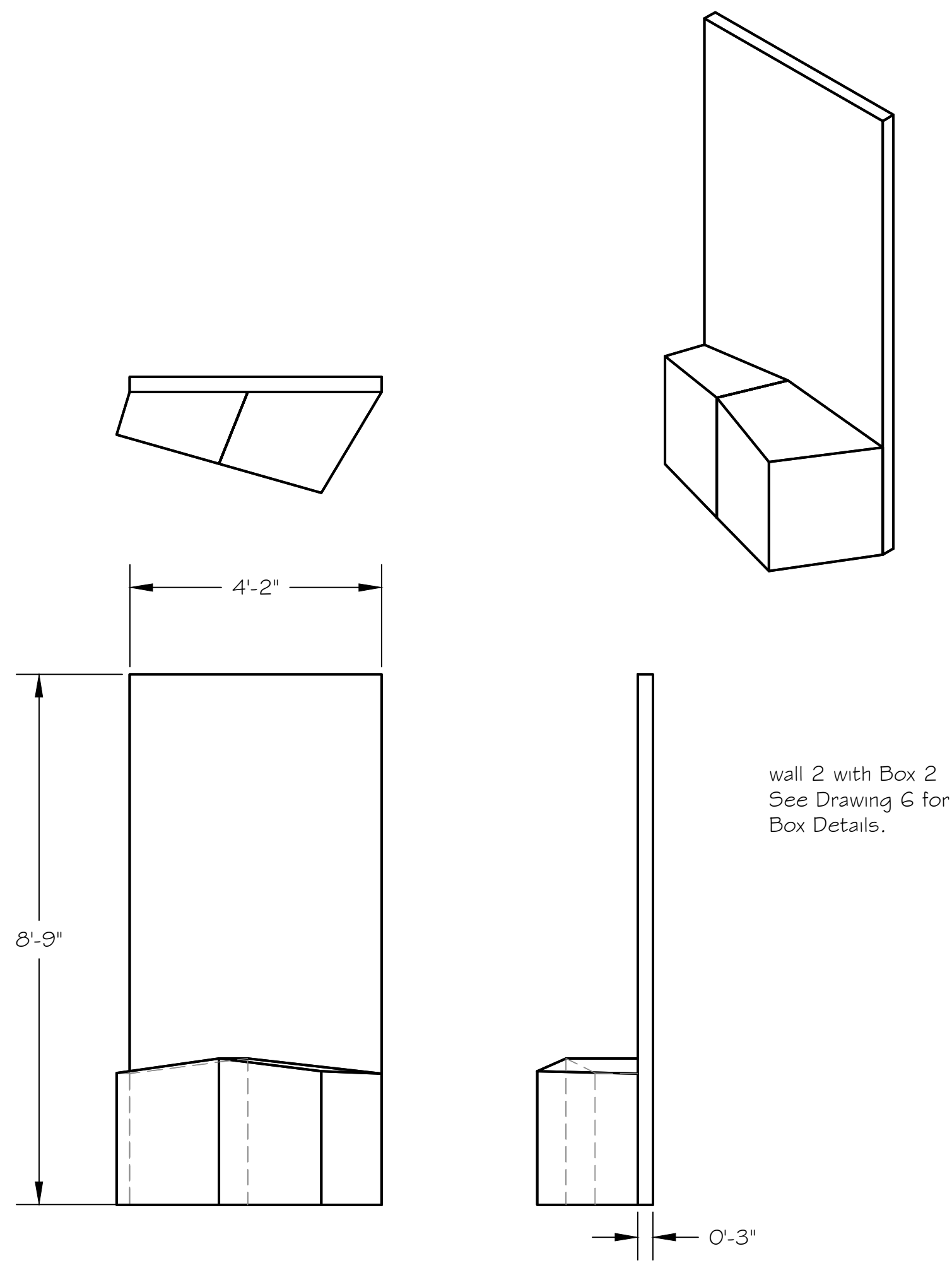


This is a representation of design concepts only! The designer takes no responsibility, and herewith disclaims liability, for the erection, engineering and/or use of any component or concept shown on this or any other drawing. It is the responsibility of the vending companies to erect this design using properly engineered and approved materials, components and methods, including but not limited to local building, fire and safety codes, and all applicable O.S.H.A. standards.

All concepts, ideas, and design elements shown on this drawing and any other documentation are the exclusive intellectual property of Scenographix, Ltd., and may only be used for this project. Any other use is prohibited, unless express written permission has been granted by Scenographix, Ltd.



Walls
All Walls are attached to boxes that when weighted will hold them up without jacks.

Walls are finished with vertical planking of random widths and thicknesses. Planking should be rough and textured. Age and construction imperfections are desired.

Walls 3 and 4 are joined together for Diviners by a portal device as shown. The wood grain for this piece does not need to be vertical and should run in the direction that makes structural sense.

Diviners

Meilly Swallow Hall - NCC

Plan

ACCOUNT EXECUTIVE
DRAWN BY T McClellan
DATE 13 February 2014
SCALE: 1/2"=1'-0"
DRAWING NUMBER 4
DRAWING DATA