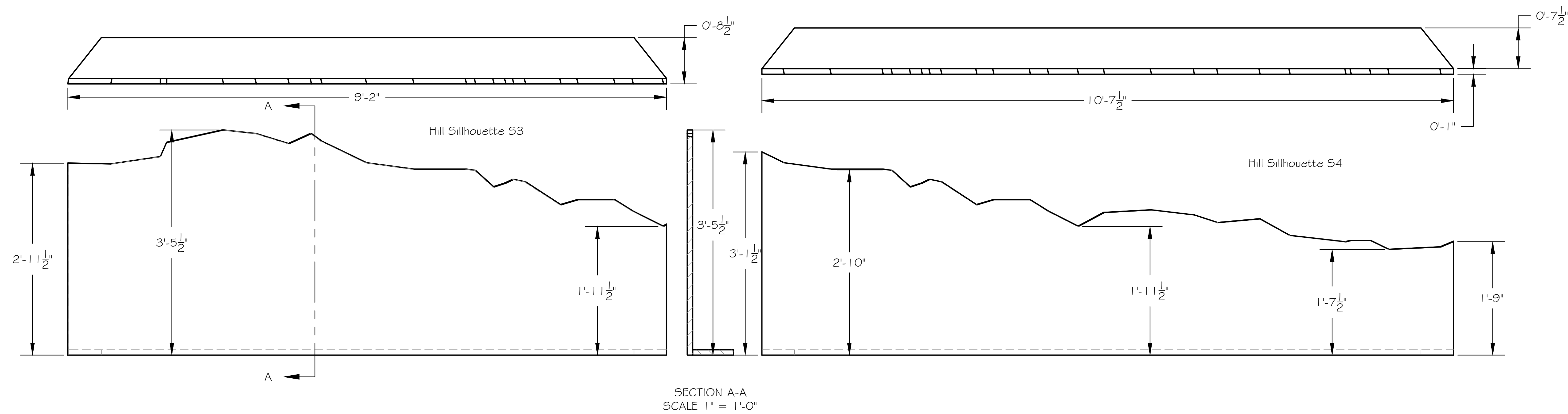
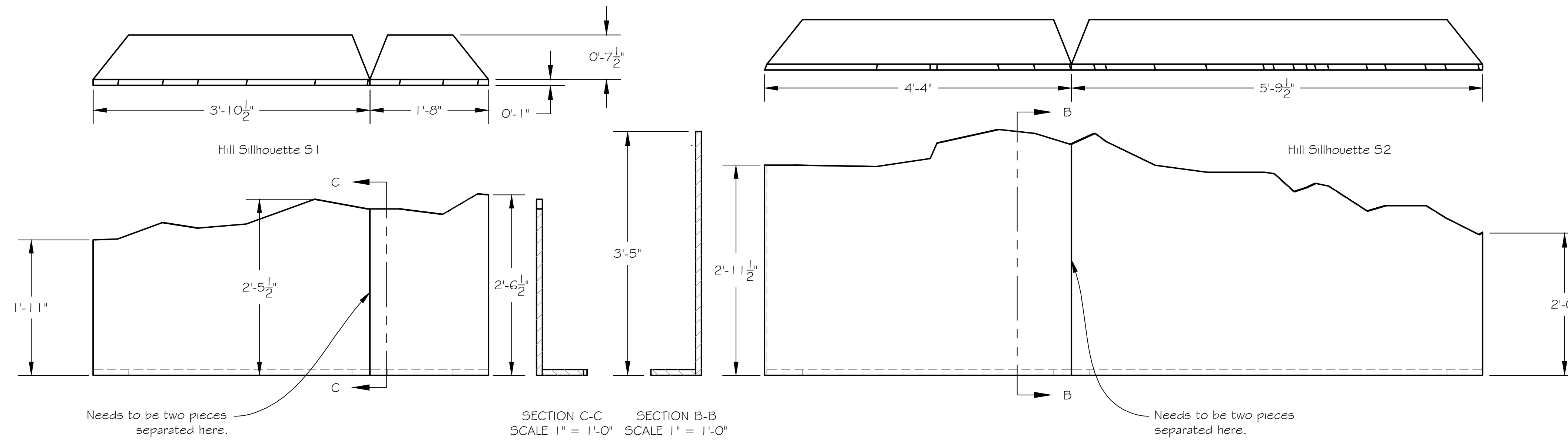


White Flameretardent fabric panels.

Scale: 1/2" = 1'-0"

These are not framed but attach to pipes at the top and bottom. Provide with pockets and pipe top and bottom.

Make from white flame retardent fabric such as bleached, heavy muslin or similarly finished fabric.



Hill Silhouettes

Scale: 1" = 1'-0"

Finished with horizontal rough planking of various textures and wood types. May be random widths and thicknesses.

The bottom will be finished with a 1x8 extending upstage as shown. Lighting fixtures will be placed on these.

This is a representation of design concepts only! The designer takes no responsibility, and hereby disclaims liability, for the erection, engineering and/or use of any component or concept shown on this or any other drawing. It is the responsibility of the vending companies to erect this design using properly engineered and approved materials, components and methods, including but not limited to local building, fire and safety codes, and all applicable O.S.H.A. standards.

All concepts, ideas, and design elements shown on this drawing and any other documentation are the exclusive intellectual property of Scenographix, Ltd. and may only be used for this project. Any other use is prohibited, unless express written permission has been granted by Scenographix, Ltd.

Diviners

NCC Meilly Swallow Silhouettes and Drops

ACCOUNT EXECUTIVE	DRAWING NUMBER
DRAWN BY T. McClellan	5
DATE 13 February 2014	
SCALE As NOTed.	DRAWING DATA
REVISION NUMBER	