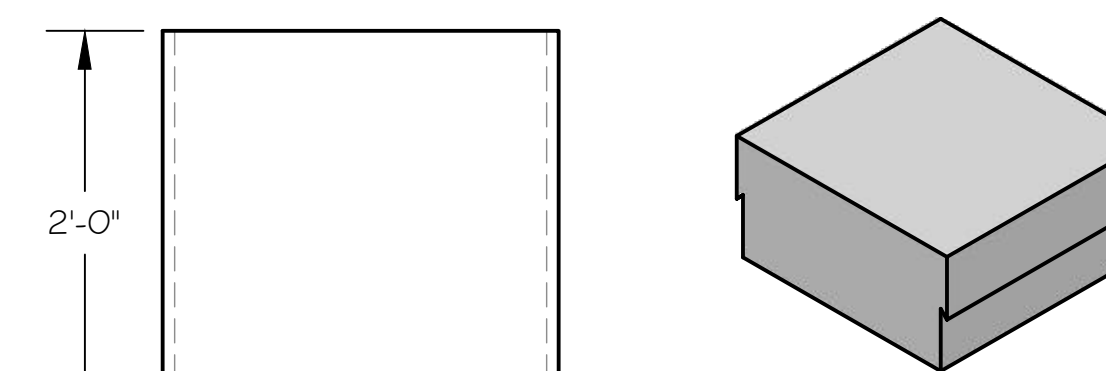


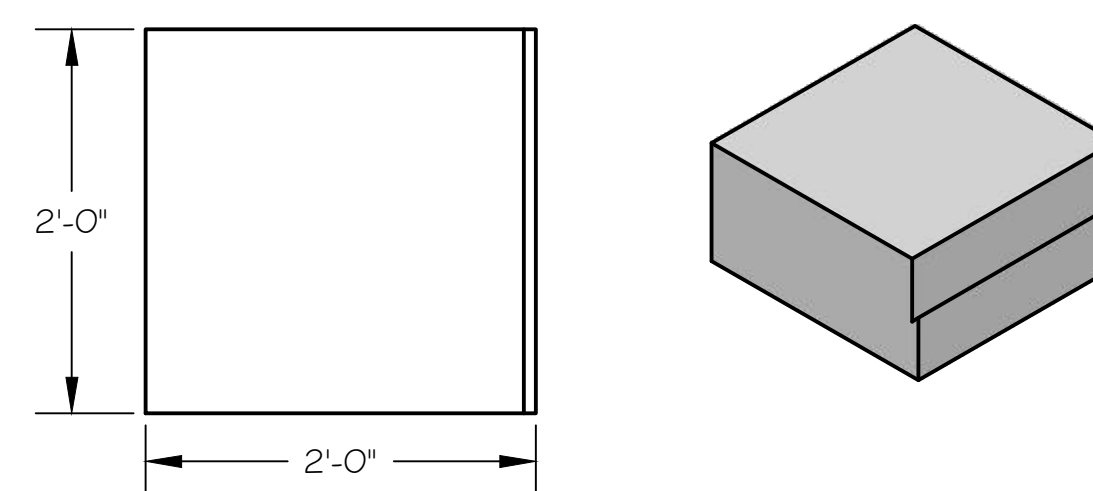
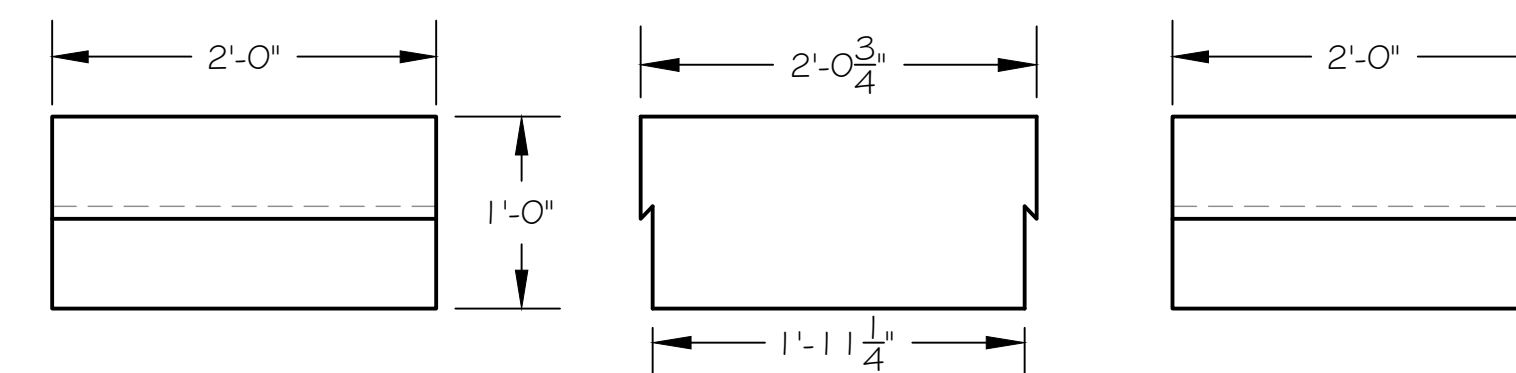
Boxes

Boxes are finished with rough wood of different textures and types, aged. The tops of the boxes should be able to come off between shows. All boxes will be sat and potentially stood upon. The boxes attached to walls will be filled with weights.

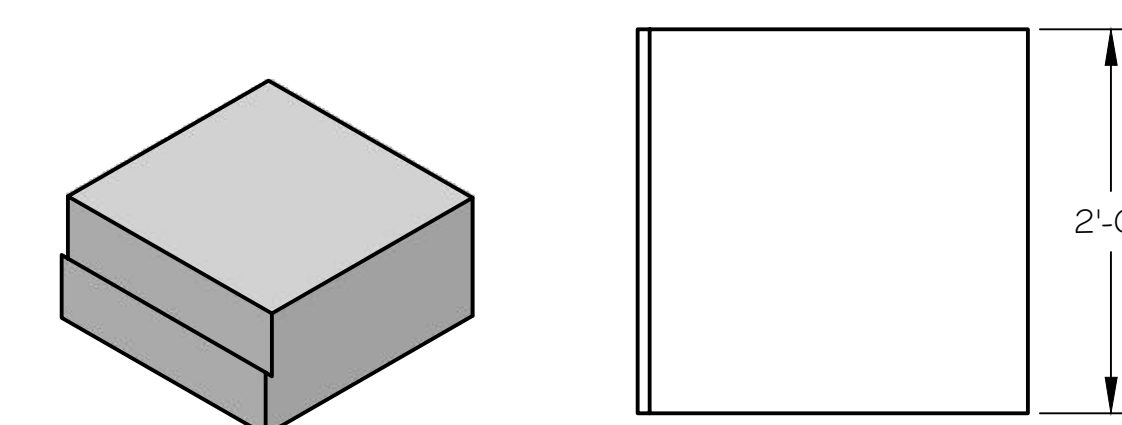
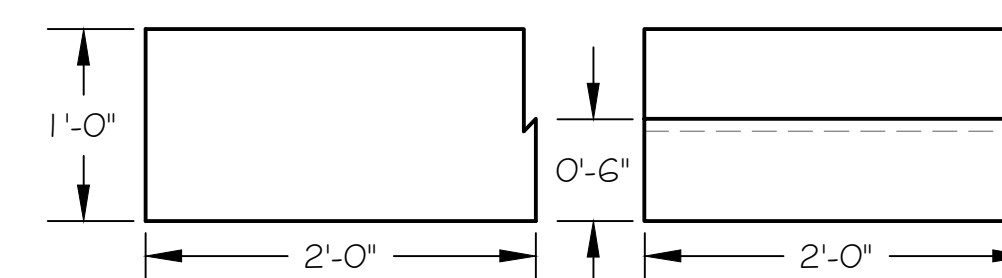
The set of three coffin boxes cleat together as shown. The combined set will be lifted as one. The coffin boxes when disassembled, will be used separately. Actors will sit, stand and jump on them.



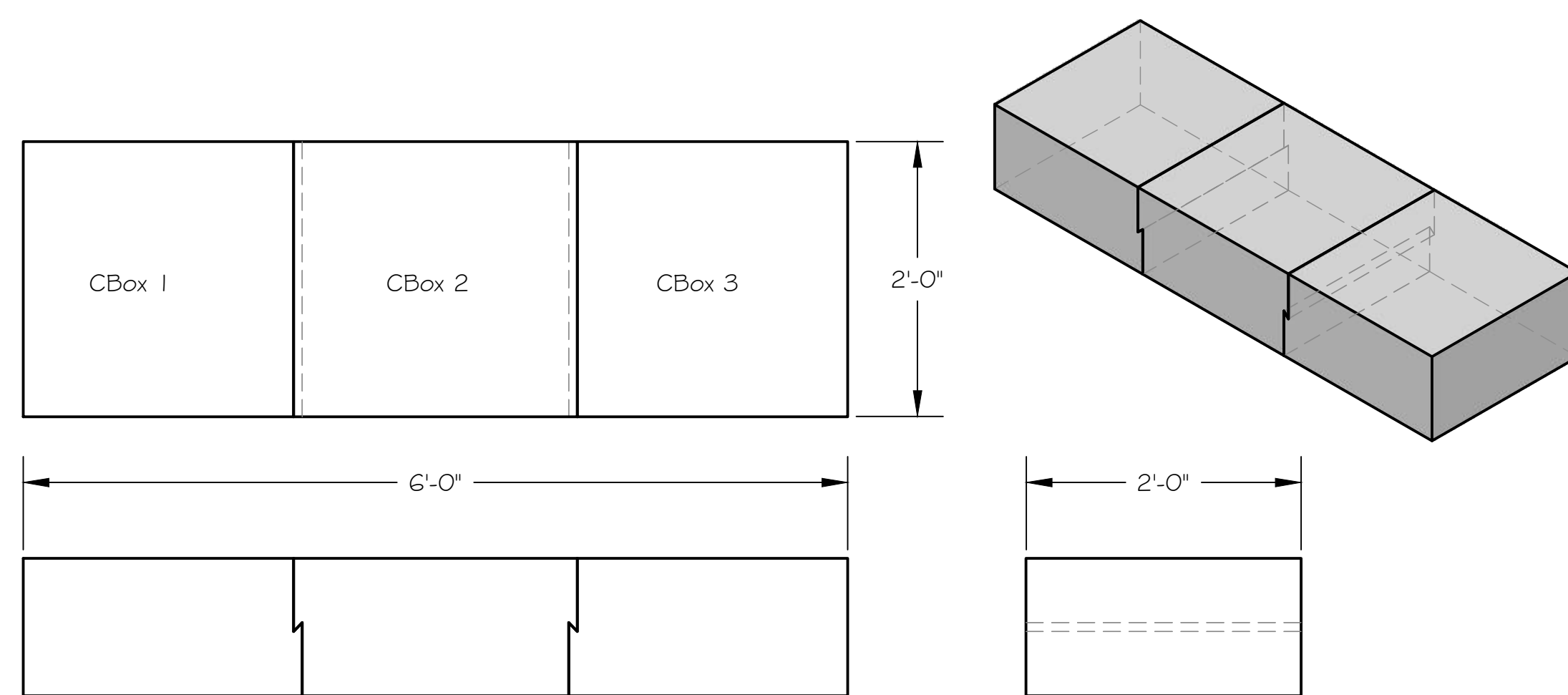
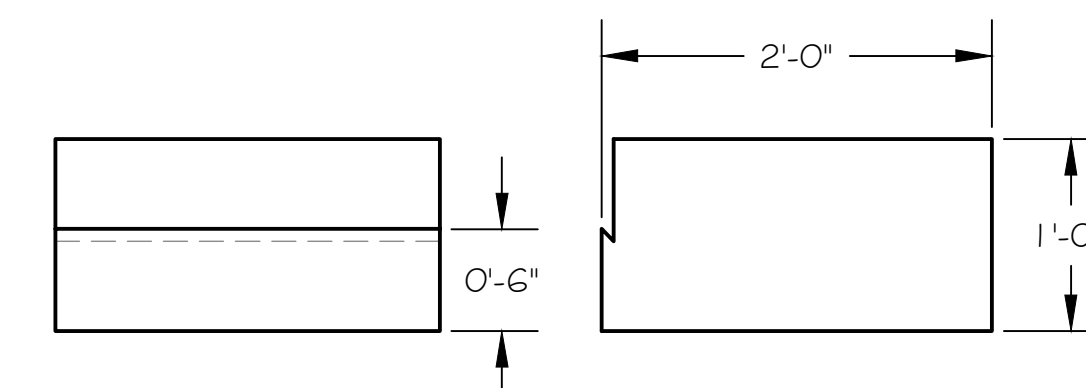
CBox 2



CBox 1



CBox 3



Coffin Box Set
Shown assembled, cleated together.

This is a representation of design concepts only! The designer takes no responsibility, and hereby disclaims liability, for the erection, engineering and/or use of any component or concept shown on this or any other drawing. It is the responsibility of the vending companies to erect this design using properly engineered and approved materials, components and methods, including but not limited to local building, fire and safety codes, and all applicable O.S.H.A. standards.

All concepts, ideas, and design elements shown on this drawing and any other documentation are the exclusive intellectual property of Scenographix, Ltd. and may only be used for this project. Any other use is prohibited, unless express written permission has been granted by Scenographix, Ltd.

Diviners
NCC Meilly Swallow
Boxes

ACCOUNT EXECUTIVE

DRAWN BY

T. McClellan

DATE

13 February 2014

SCALE

1" = 1'-0" (1:12)

REVISION NUMBER

DRAWING NUMBER

6

DRAWING DATA