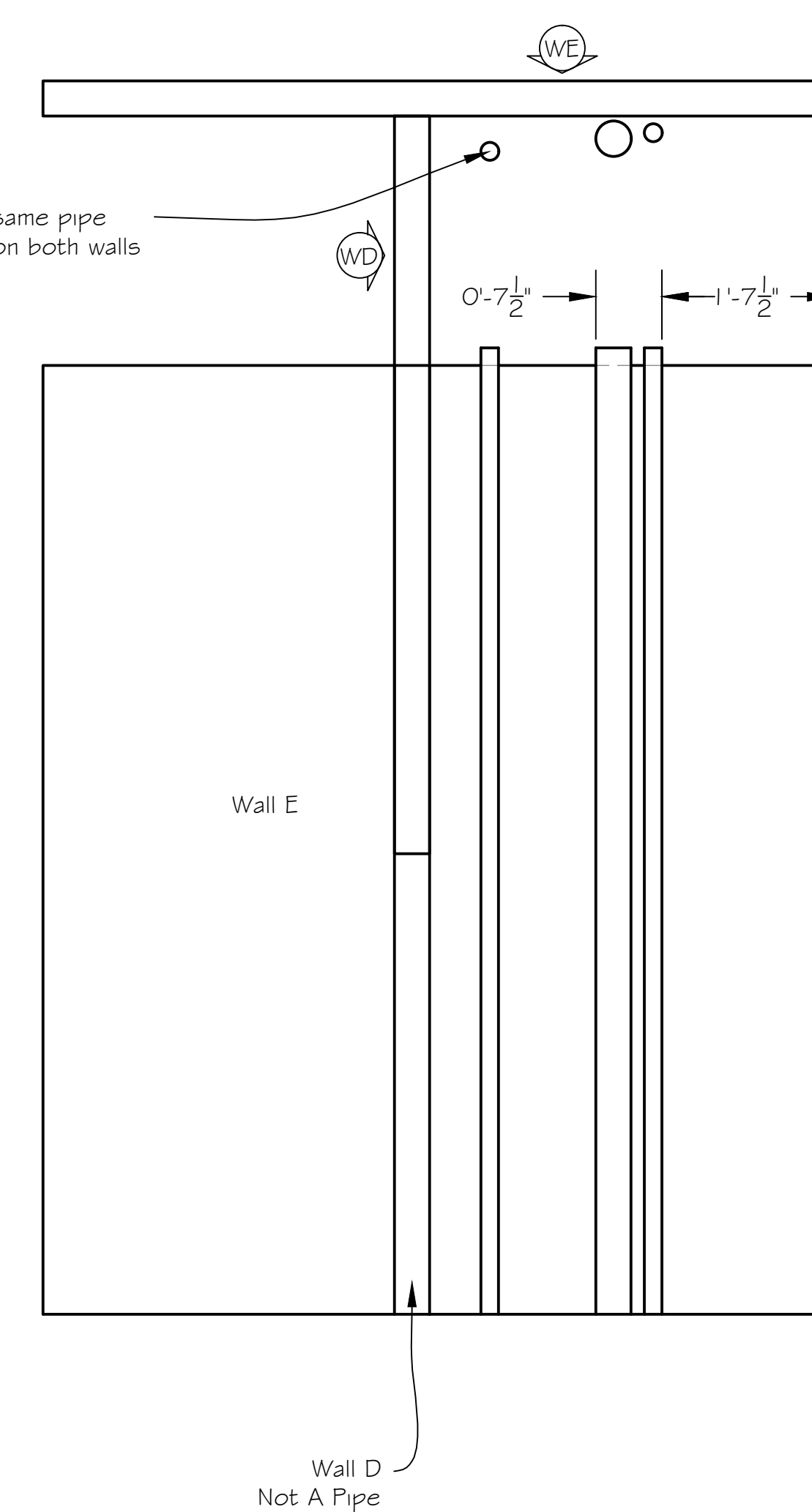
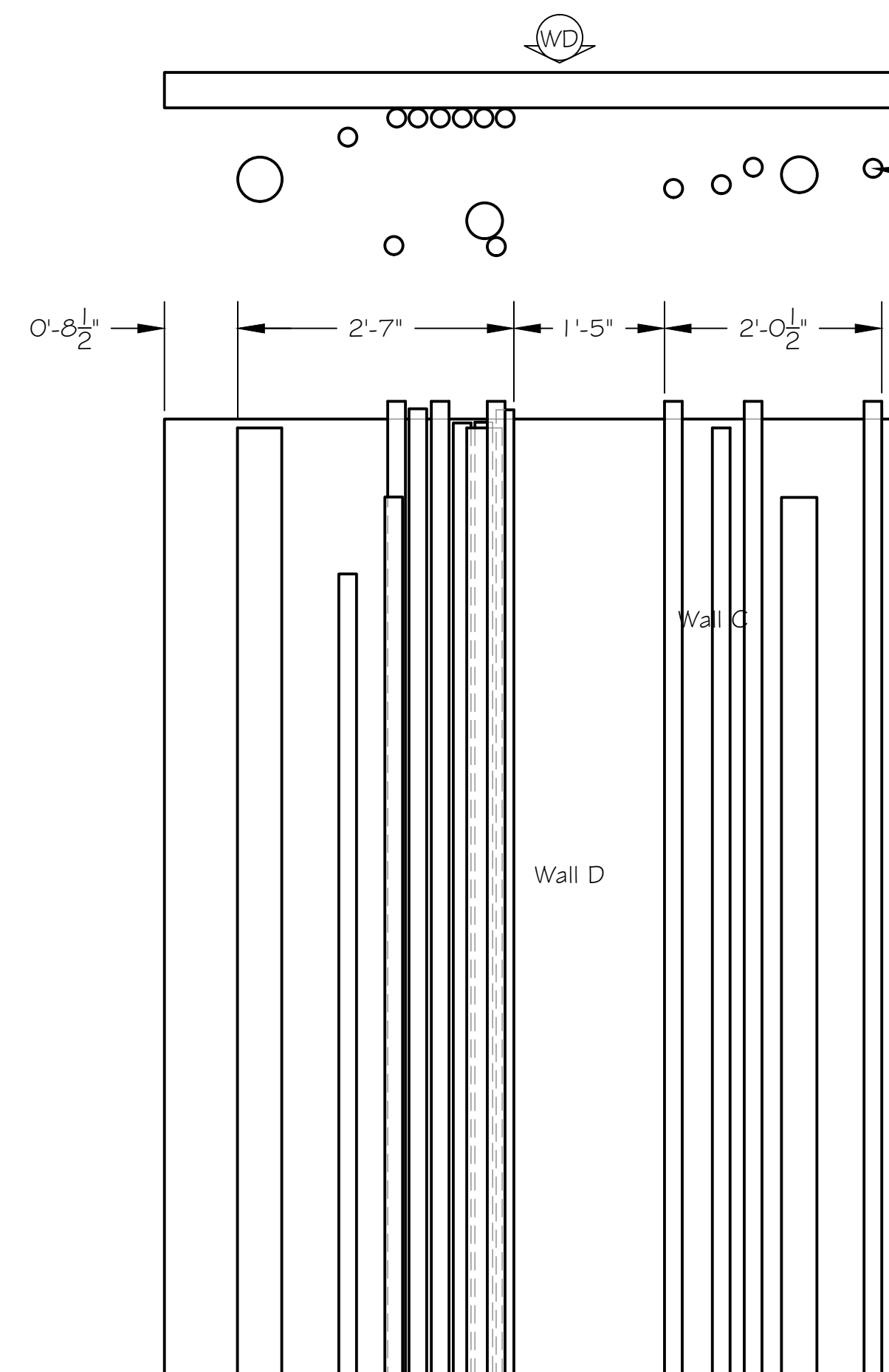
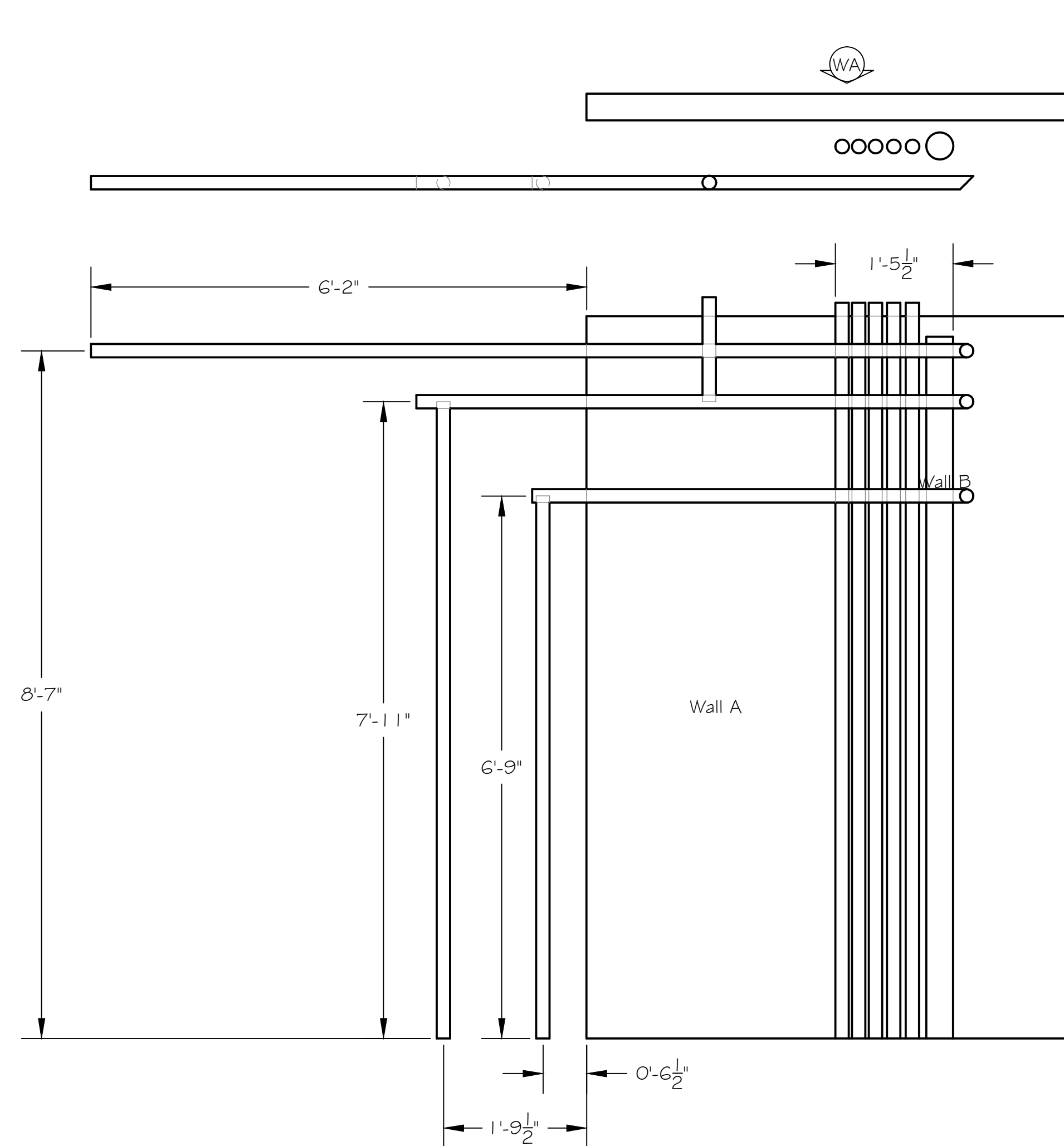


This is a representation of design concepts only! The designer takes no responsibility, and herewith disclaims liability, for the erection, engineering and/or use of any component or concept shown on this or any other drawing. It is the responsibility of the vending companies to erect this design using properly engineered and approved materials, components and methods, including but not limited to local building, fire and safety codes, and all applicable O.S.H.A. standards.

All concepts, ideas, and design elements shown on this drawing and any other documentation are the exclusive intellectual property of Scenographix, Ltd., and may only be used for this project. Any other use is prohibited, unless express written permission has been granted by Scenographix, Ltd.

**Pipes**  
 Pipe are attached in Groups to walls. Use unistrut or similar from behind to attach to wall. Use stand offs from unistrut to create layering. Pipes should not all be parallel. Some variation in angle is good.  
 Pipe finishes should vary. Use dirty or grey pvc, drainage pipe, dryer vent, grey conduit, iron or galvanized pipe. Pipe should not look new but should look old and worn, dirt covered. Rust is good on appropriate material.  
 Pipes are drawn at 2" but may vary in diameter.  
 NOTE, Pipes P1-3 or P2-2 may be used for hanging attempt.



# Emmigrants

## Meilly Swallow Hall

### Wall Pipes

ACCOUNT EXECUTIVE  
 DRAWN BY  
 T McClellan  
 DATE  
 5 January 2013  
 SCALE:  
 3/4"=1'-0"  
 DRAWING NUMBER

# 4

DRAWING DATA