

This is a representation of design concepts only! The designer takes no responsibility, and herewith disclaims liability, for the erection, engineering and/or use of any component or concept shown on this or any other drawing. It is the responsibility of the vending companies to erect this design using properly engineered and approved materials, components and methods, including but not limited to local building, fire and safety codes, and all applicable O.S.H.A. standards.

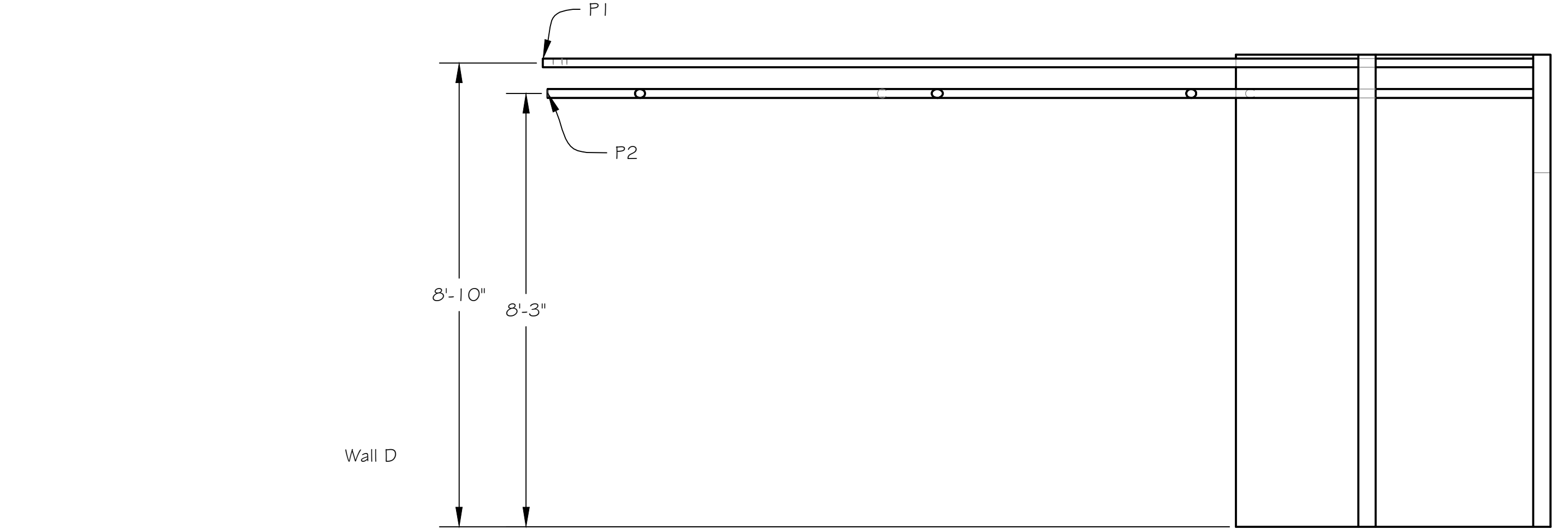
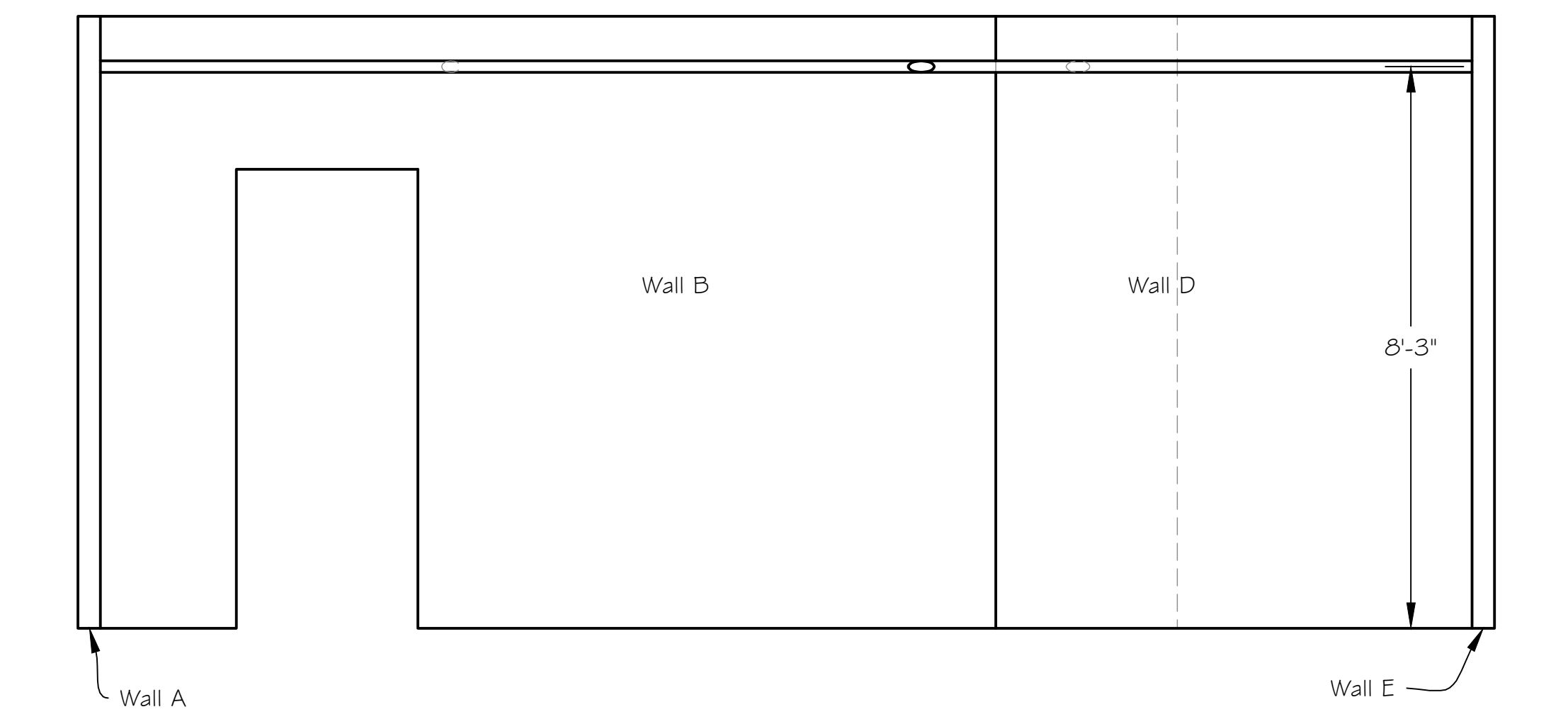
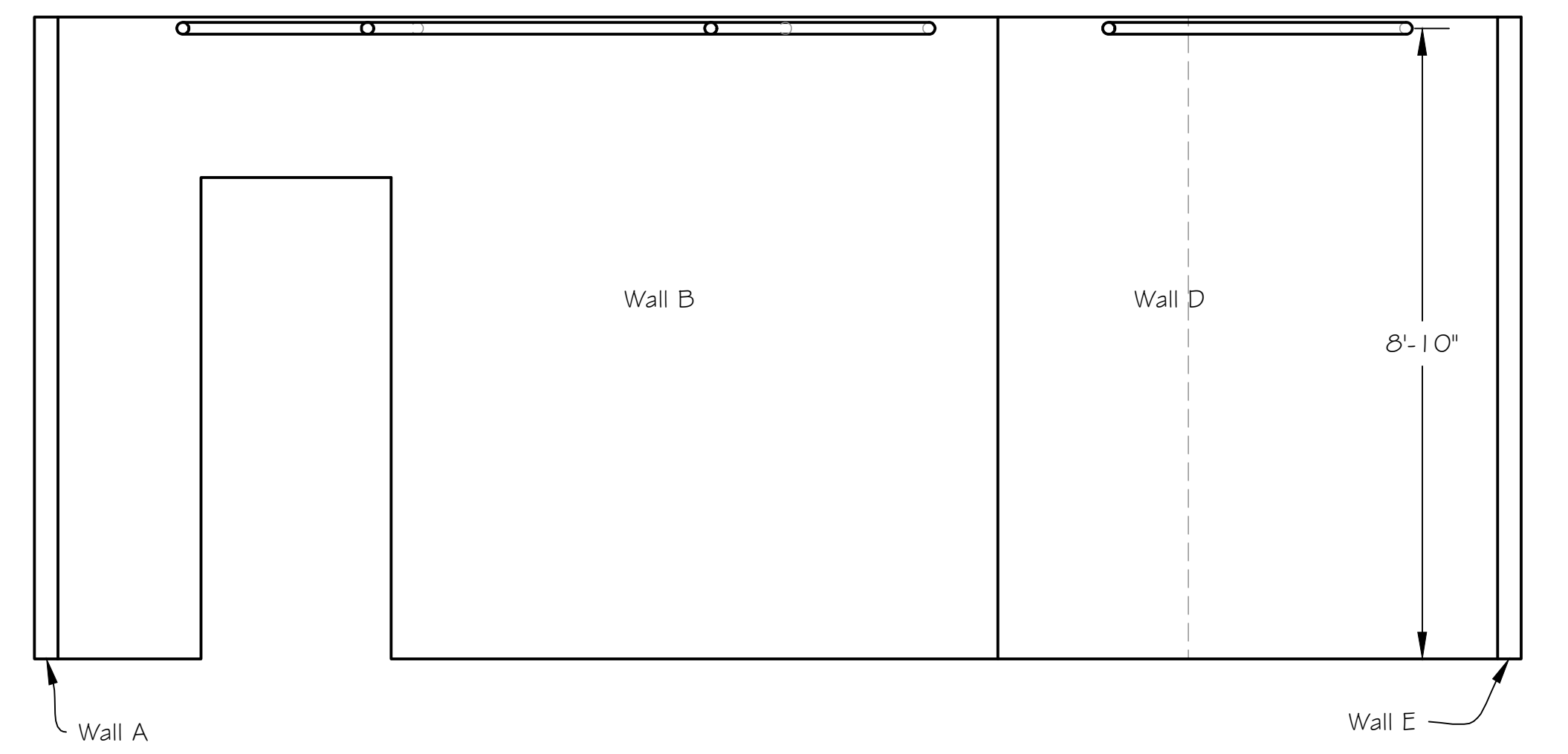
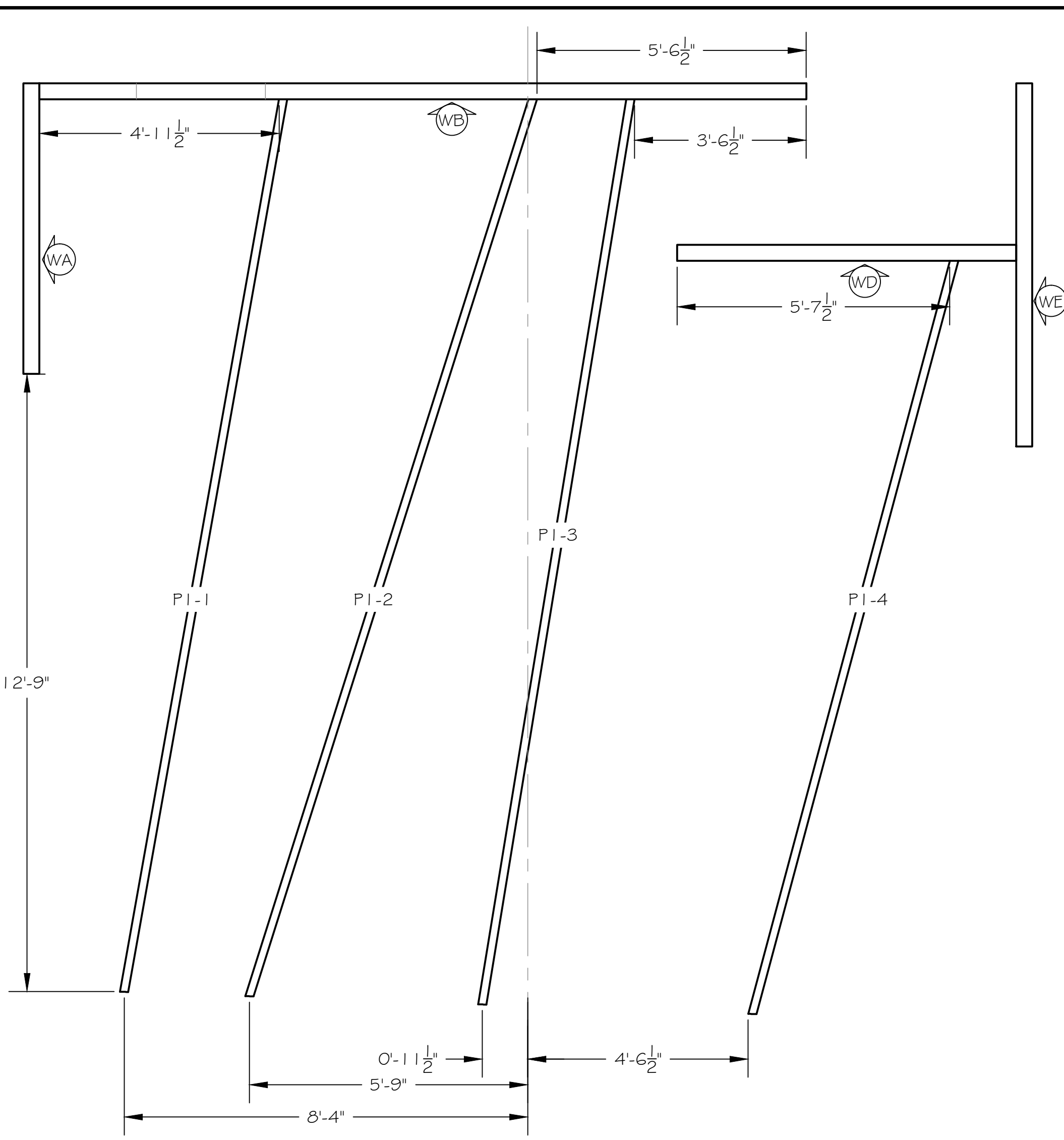
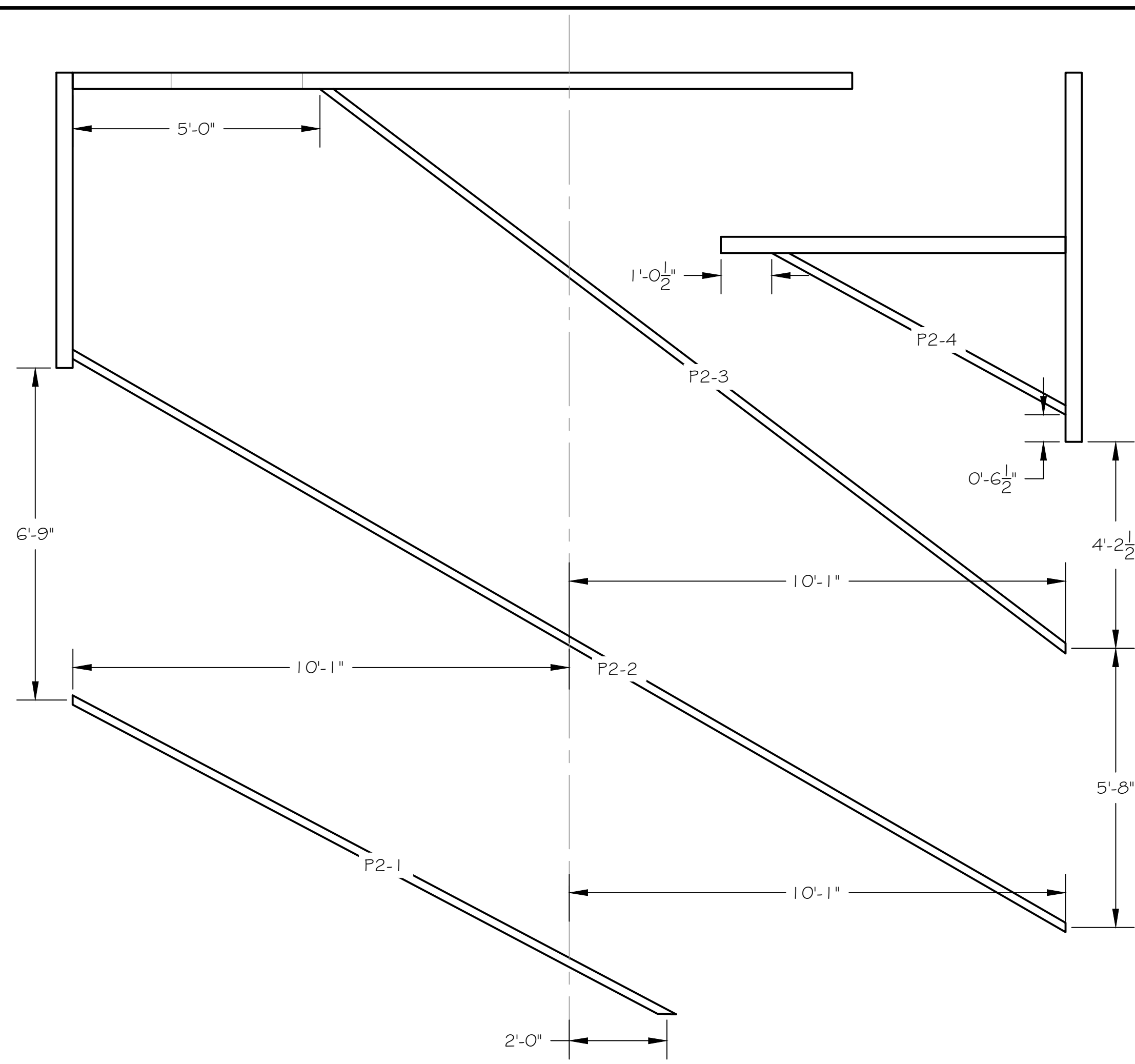
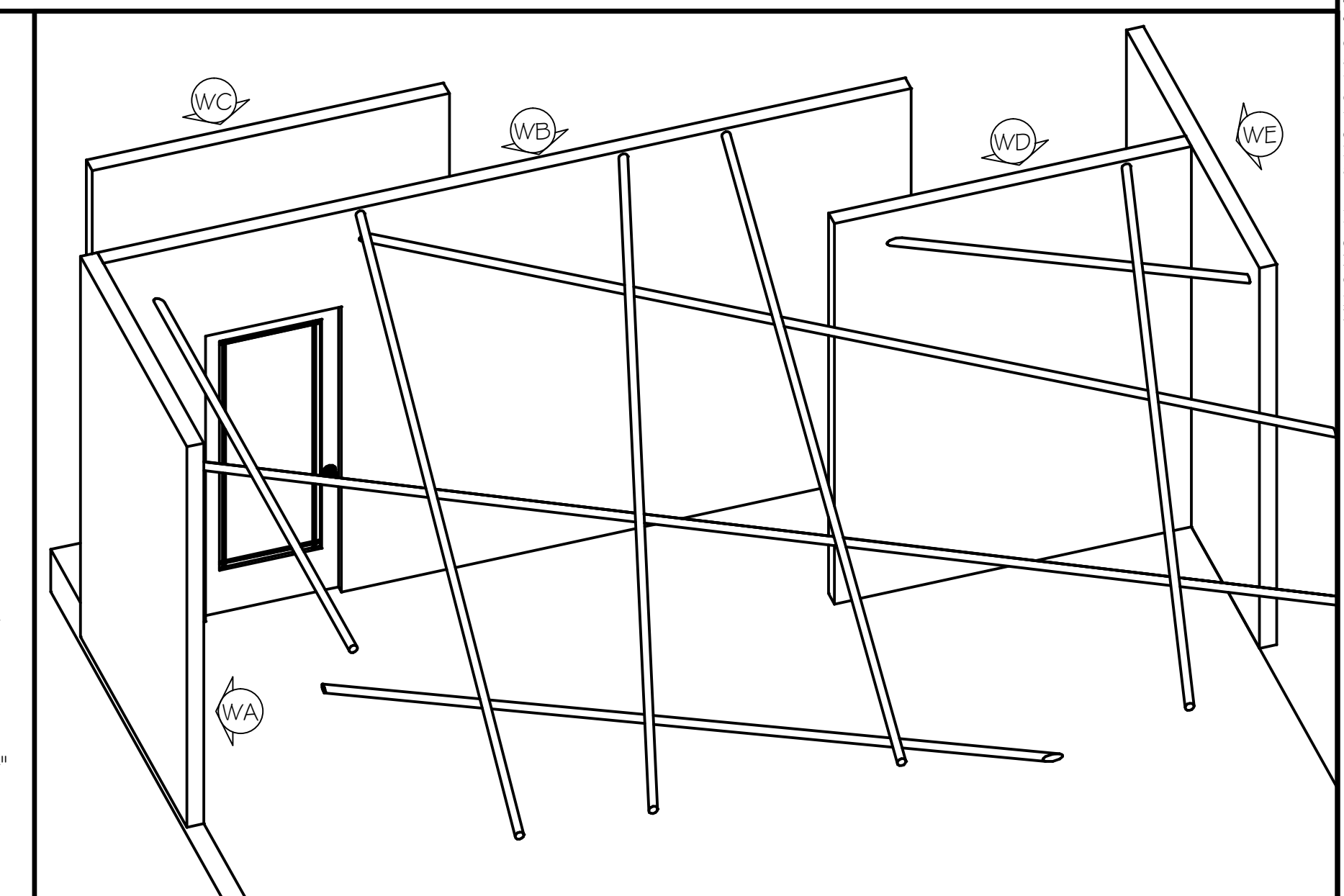
All concepts, ideas, and design elements shown on this drawing and any other documentation are the exclusive intellectual property of Scenographix, Ltd., and may only be used for this project. Any other use is prohibited, unless express written permission has been granted by Scenographix, Ltd.

Emmigrants

Meilly Swallow Hall

Overhead Pipes

ACCOUNT EXECUTIVE
DRAWN BY T McClellan
DATE 5 January 2013
SCALE: 3/4"=1'-0"
DRAWING NUMBER 5
DRAWING DATA



Overhead Pipes
 Pipe are rigged overhead.
 Pipe finishes should vary. Use dirty or grey pvc, drainage pipe, dryer vent, grey conduit, iron or galvanized pipe. Pipe should not look new but should look old and worn, dirt covered. Rust is good on appropriate material.
 Pipes are drawn at 2" but may vary in diameter.
 NOTE, Pipes P1-3 or P2-2 may be used for hanging attempt.