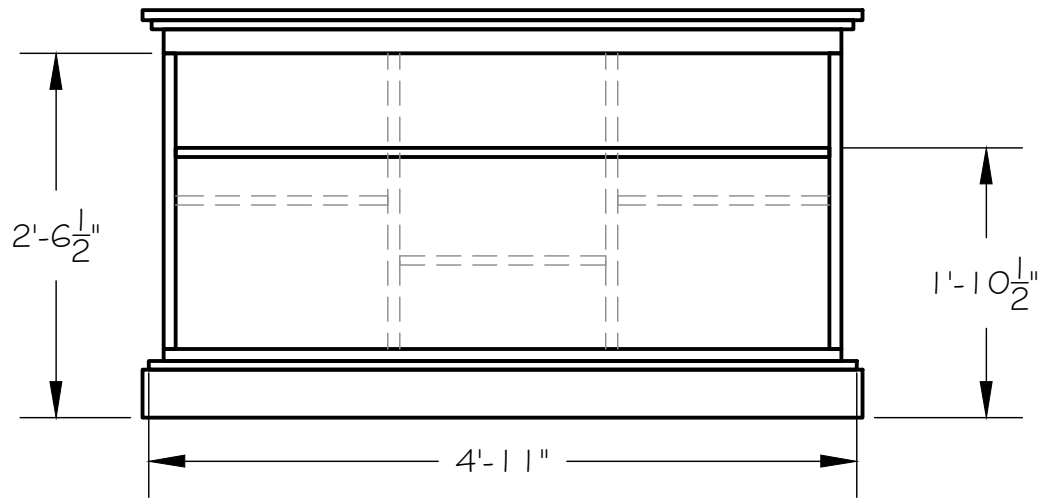
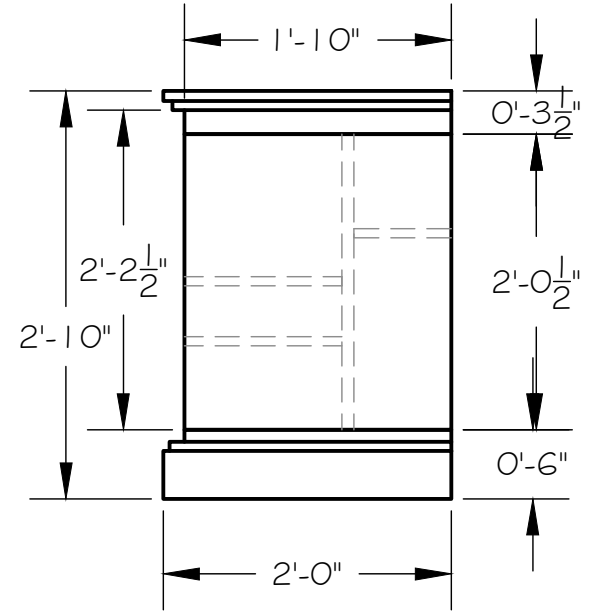
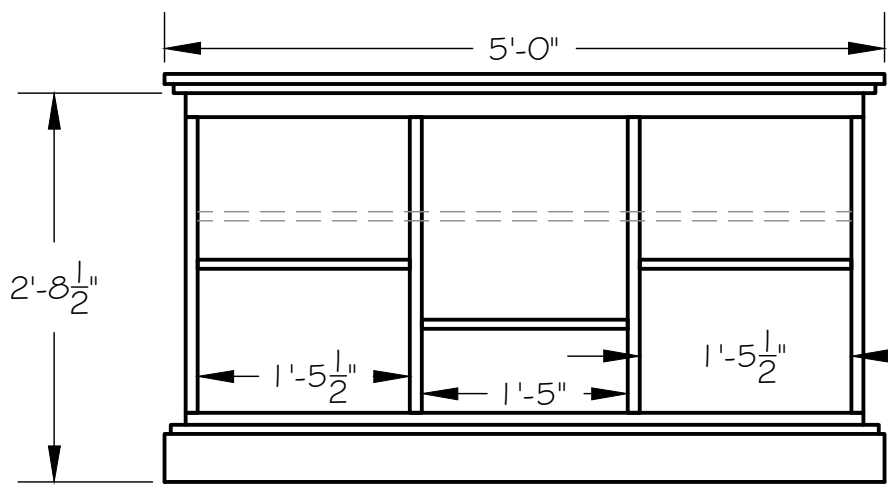


Bar/Shelving
 All Shelves adjustable Height.
 All surfaces will be painted.
 Backside shelving layout TBD.



TomFoolery at NCC, Naperville
 Bar/Shelf Piece
 Scale: 3/4" = 1'-0"
 15 July 2009