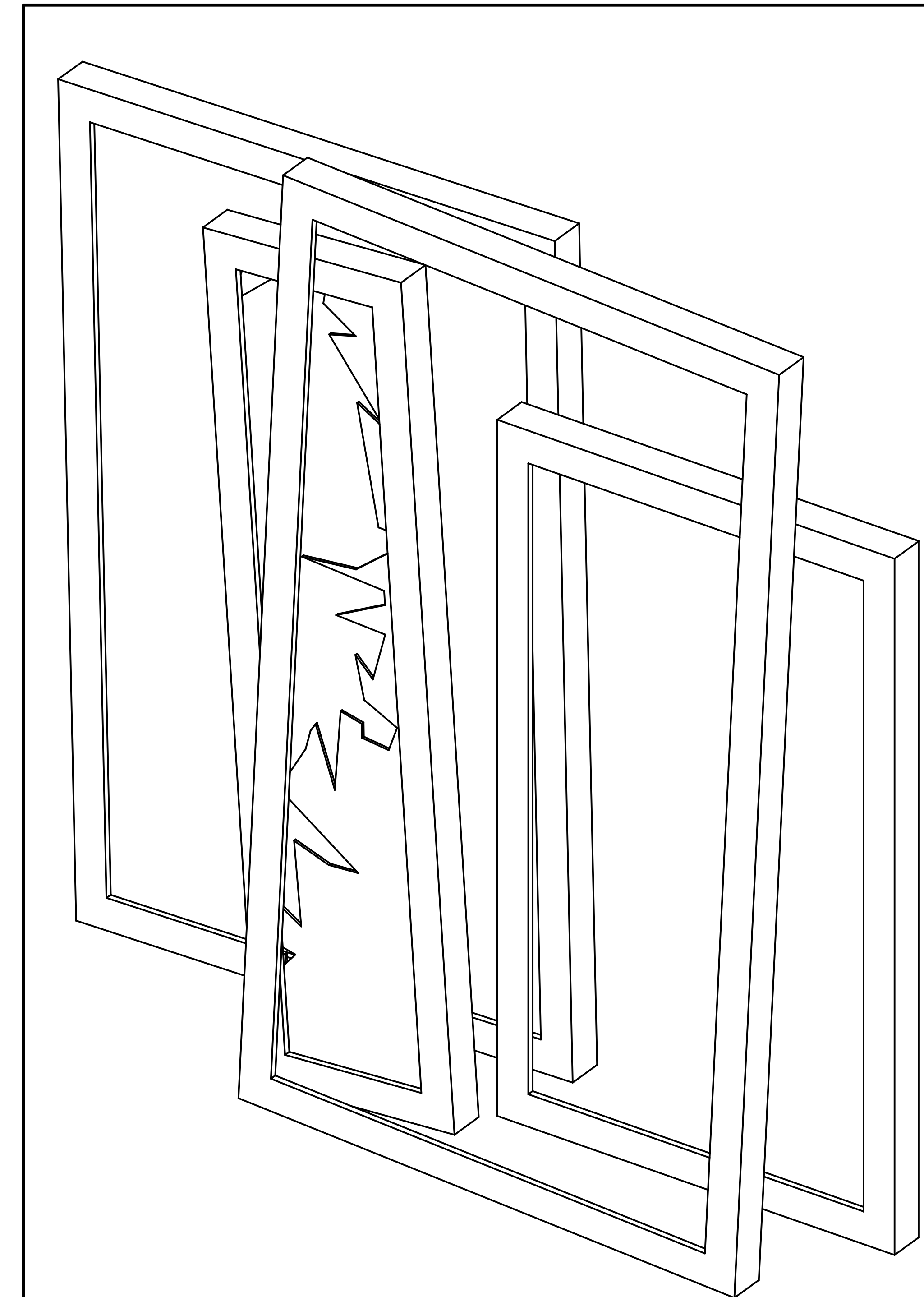
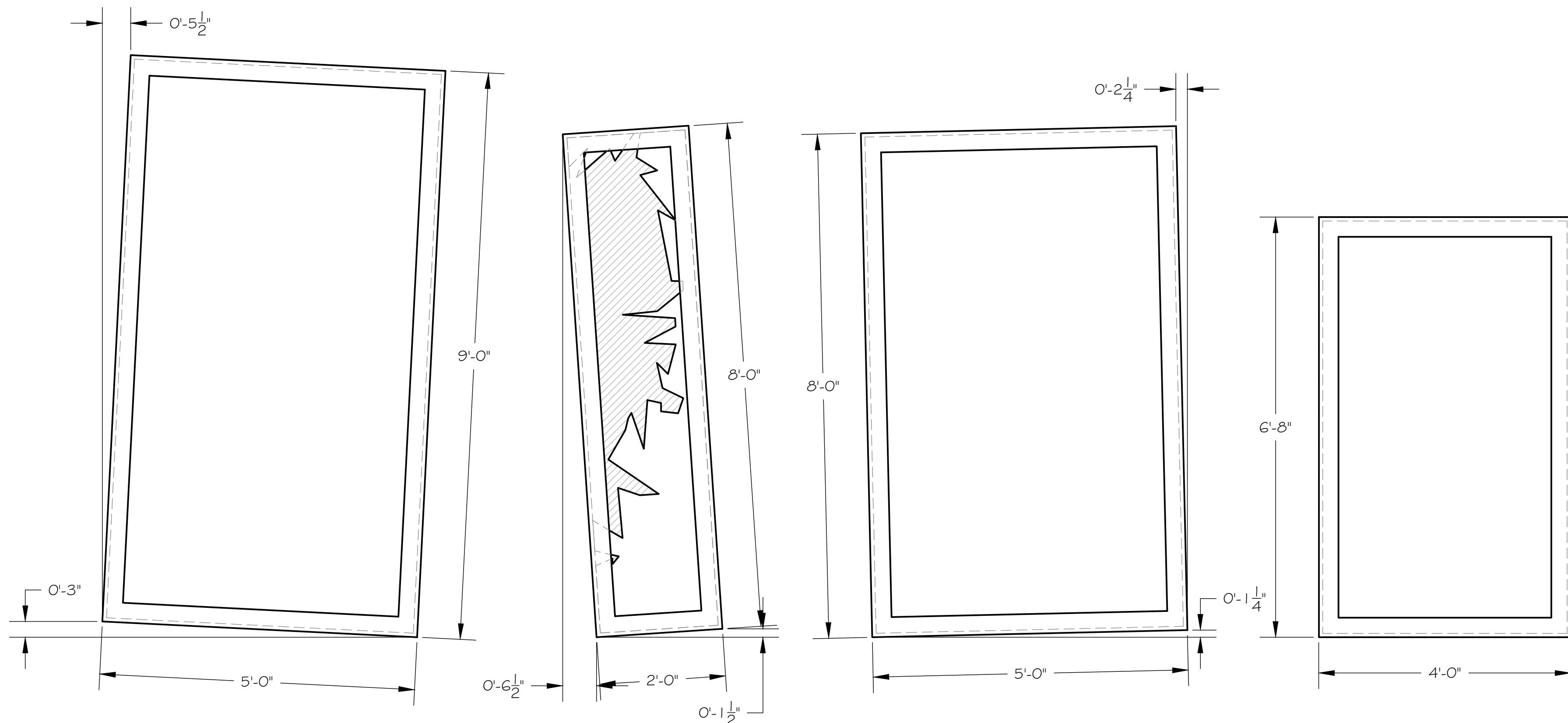


**Frames Sets**  
 Build frames from standard 1x4 and 1x3 return "hog trough".  
 Angle frames with black wooden blocks under frames cut from 2 by stock.  
 Join frames together where they overlap from the front view. Discuss joining technique with designer.  
 The frame sets will move around the stage for different scenes.

One frame in the set is filled with broken mirror. Hatched space is OPEN and NOT mirror.

Finish with painted or applied printed figurative graphics on outsides. Insides should be painted a scumbled grey/black.



This is a representation of design concepts only! The designer takes no responsibility, and herewith disclaims liability, for the erection, engineering and/or use of any component or concept shown on this or any other drawing. It is the responsibility of the vending companies to erect this design using properly engineered and approved materials, components and methods, including but not limited to local building, fire and safety codes, and all applicable O.S.H.A. standards.

All concepts, ideas, and design elements shown on this drawing and any other documentation are the exclusive intellectual property of Scenographix, Ltd. and may only be used for this project. Any other use is prohibited, unless express written permission has been granted by Scenographix, Ltd.

Revisions:

**The Meilly Theatre - North Central College**  
**The Naked King**  
**Details Frame 5**

Organic  
 Theatre  
 Company

Director  
 Alexander Gelman  
 DRAWN BY  
 TLM  
 DATE  
 28 February 2011  
 SCALE:  
 3/4" = 1'-0"  
 DRAWING NUMBER

**8**

DRAWING DATA