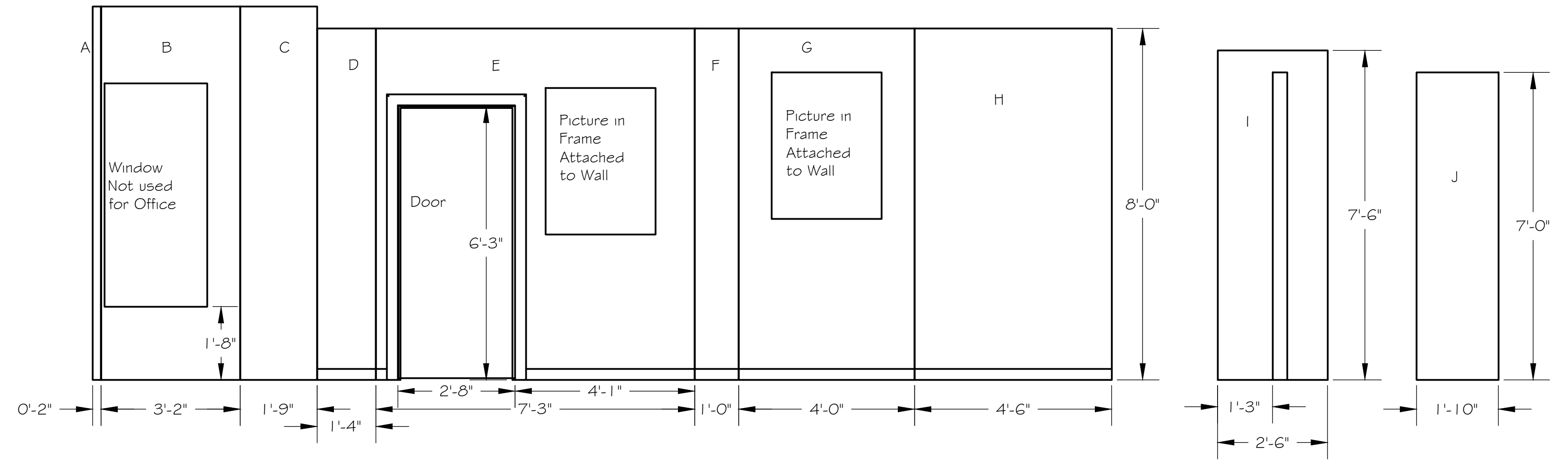
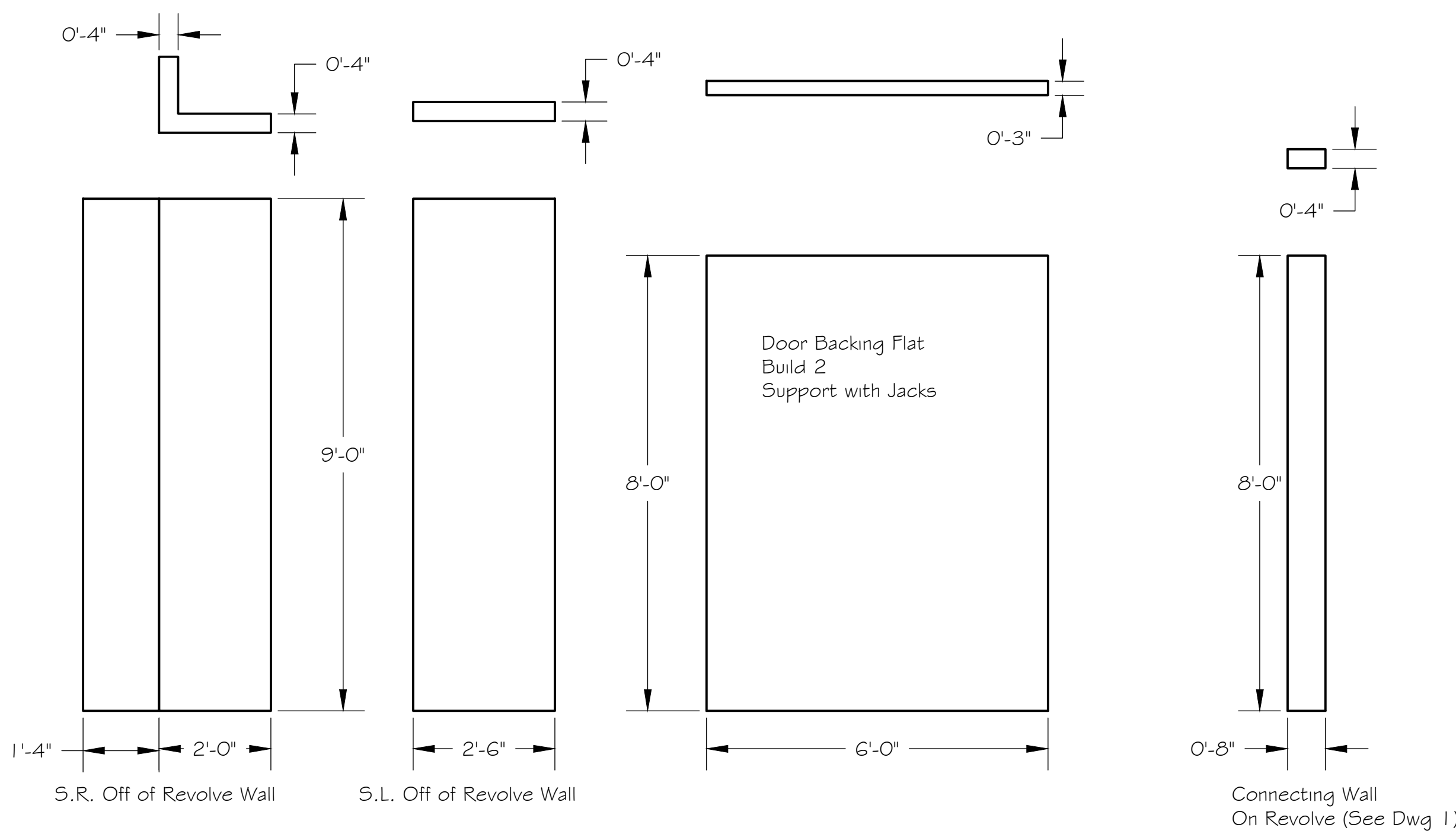
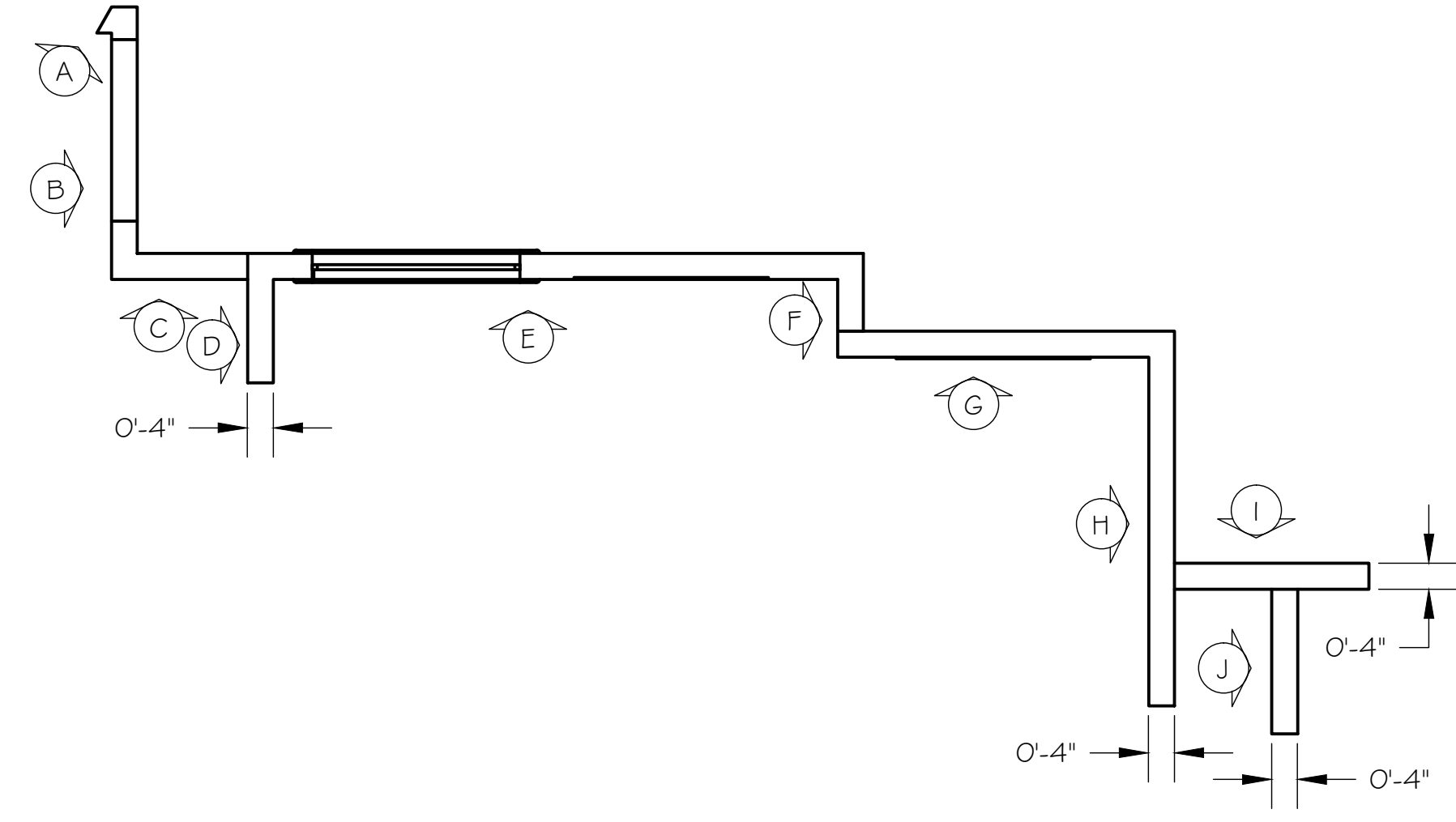


This is a representation of design concepts only! The designer takes no responsibility, and herewith disclaims liability, for the erection, engineering and/or use of any component or concept shown on this or any other drawing. It is the responsibility of the vending companies to erect this design using properly engineered and approved materials, components and methods, including but not limited to local building, fire and safety codes, and all applicable O.S.H.A. standards.

All concepts, ideas, and design elements shown on this drawing and any other documentation are the exclusive intellectual property of Scenographix, Ltd. and may only be used for this project. Any other use is prohibited, unless express written permission has been granted by Scenographix, Ltd.

Walls when the Police Office is D,S
 Walls D-H are faced with cinder block vacuum form.
 The rest of teh walls are painted.
 Walls D-H have a 3" rubber base molding.
 Walls attach to revolve. They must be removed and replaced a number of times durmt runs of shows..



Revisions:

The Greenhouse Theatre - Chicago
 The Police

Wall Elevations

Organic Theatre Company

Director
 Alexander Gelman
 DRAWN BY
 TLM
 DATE
 14 April 2010
 SCALE:
 3/8" = 1'-0"
 DRAWING NUMBER

4

DRAWING DATA

