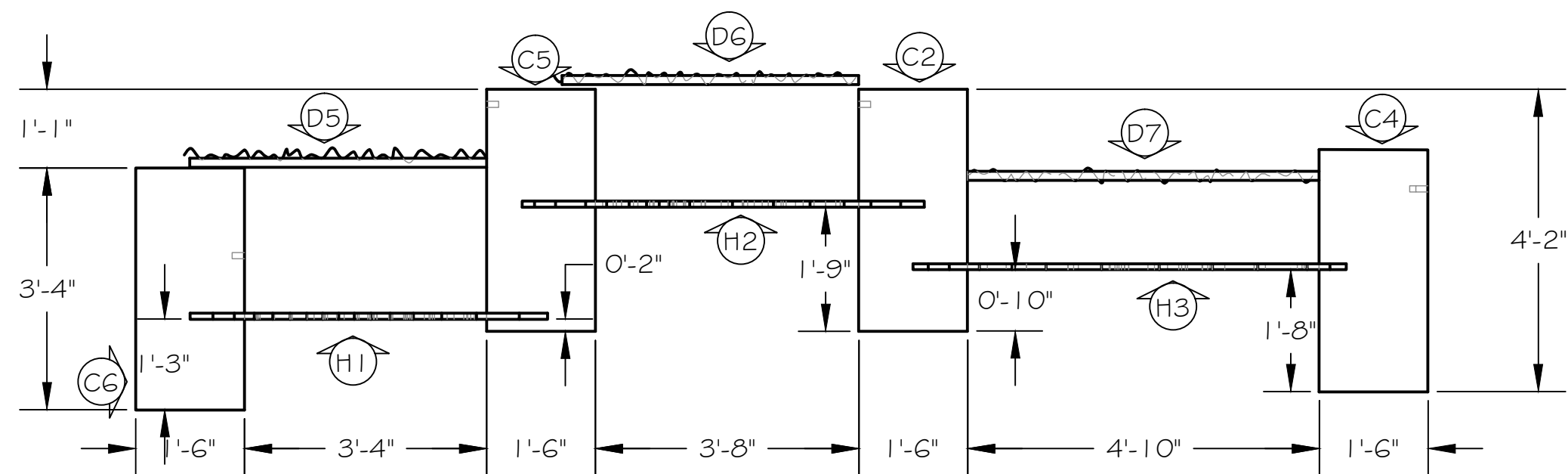
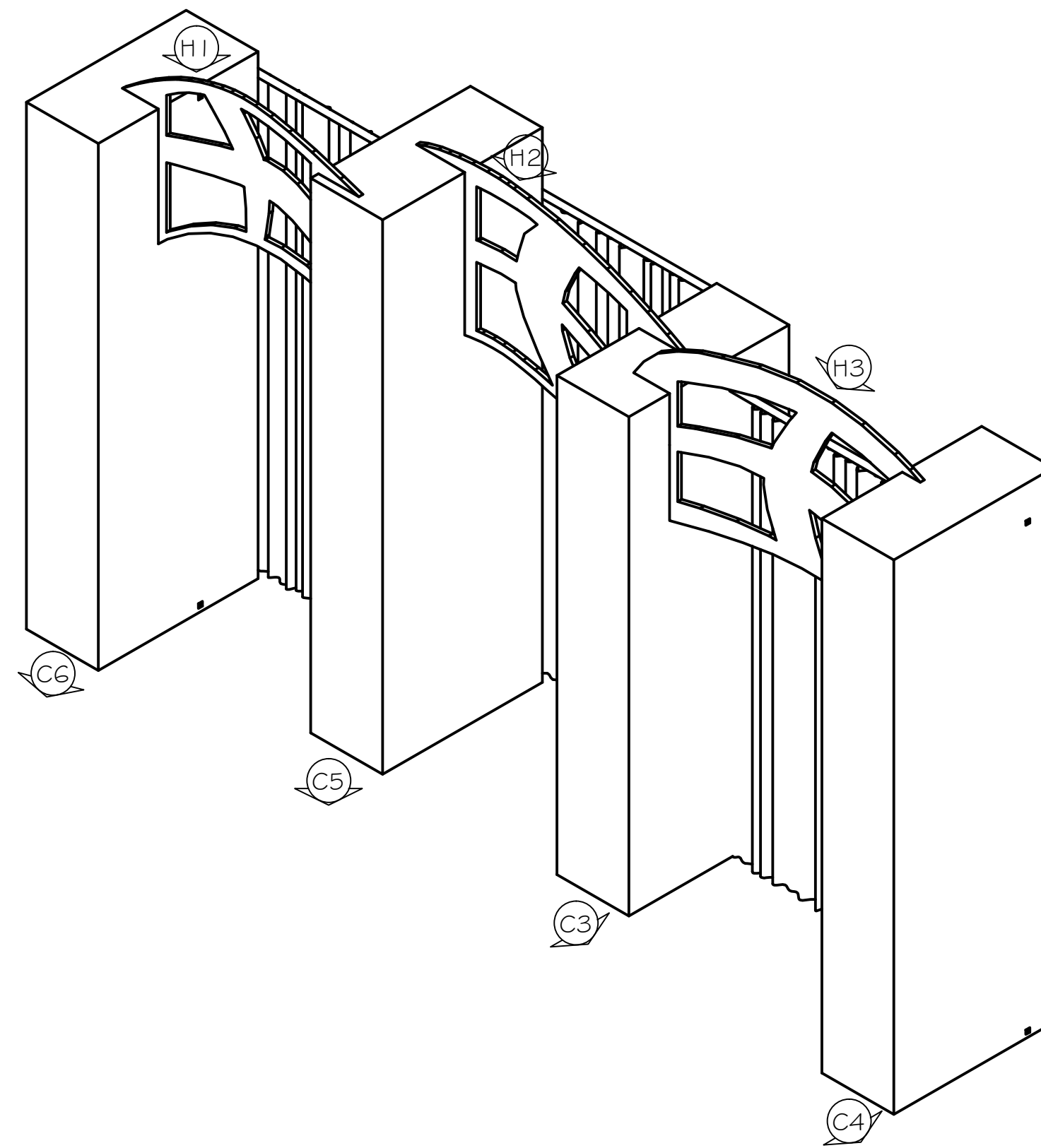
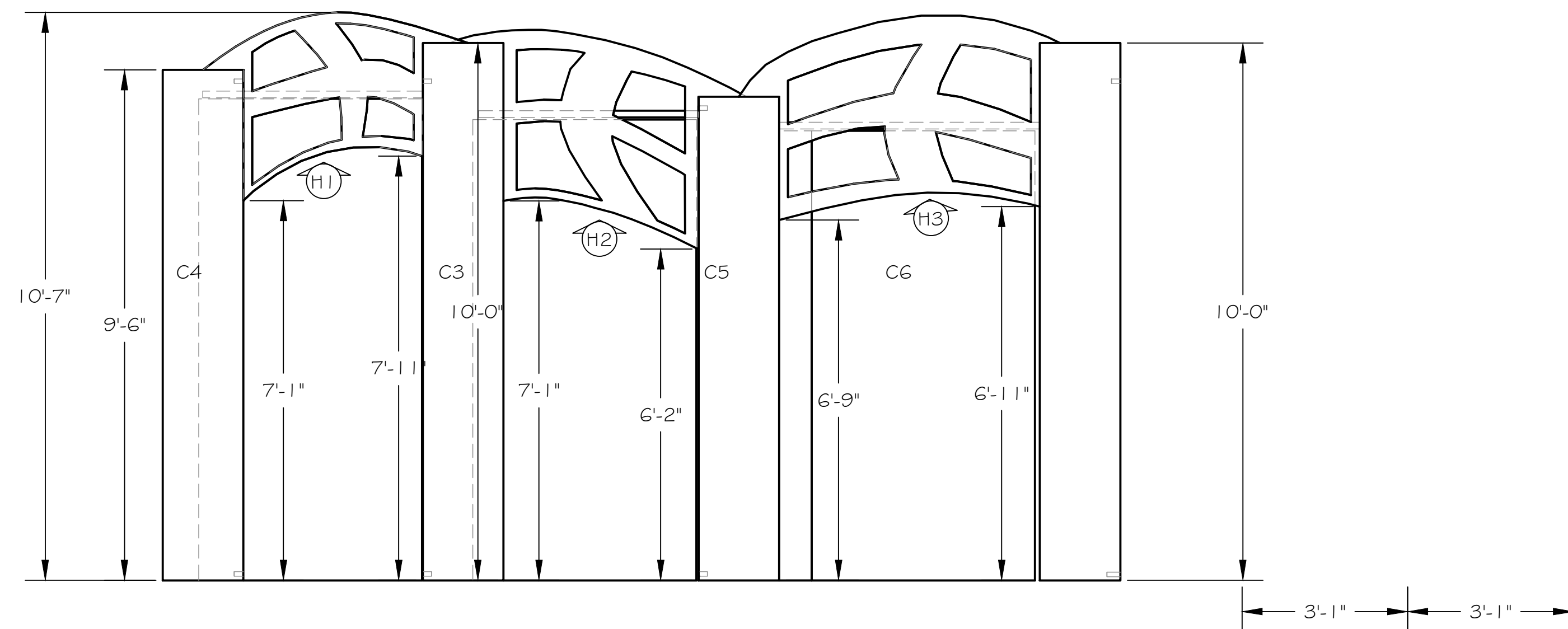


This is a representation of design concepts only! The designer takes no responsibility, and herewith disclaims liability, for the erection, engineering and/or use of any component or concept shown on this or any other drawing. It is the responsibility of the vending companies to erect this design using properly engineered and approved materials, components and methods, including but not limited to local building, fire and safety codes, and all applicable O.S.H.A. standards.

All concepts, ideas, and design elements shown on this drawing and any other documentation are the exclusive intellectual property of Scenographix, Ltd., and may only be used for this project. Any other use is prohibited, unless express written permission has been granted by Scenographix, Ltd.



Drapery
 Construct from double layer "Spice Girl" metal drape.
 Attach to thin, gold Channel
 Supply with materials to easily tab each panel.

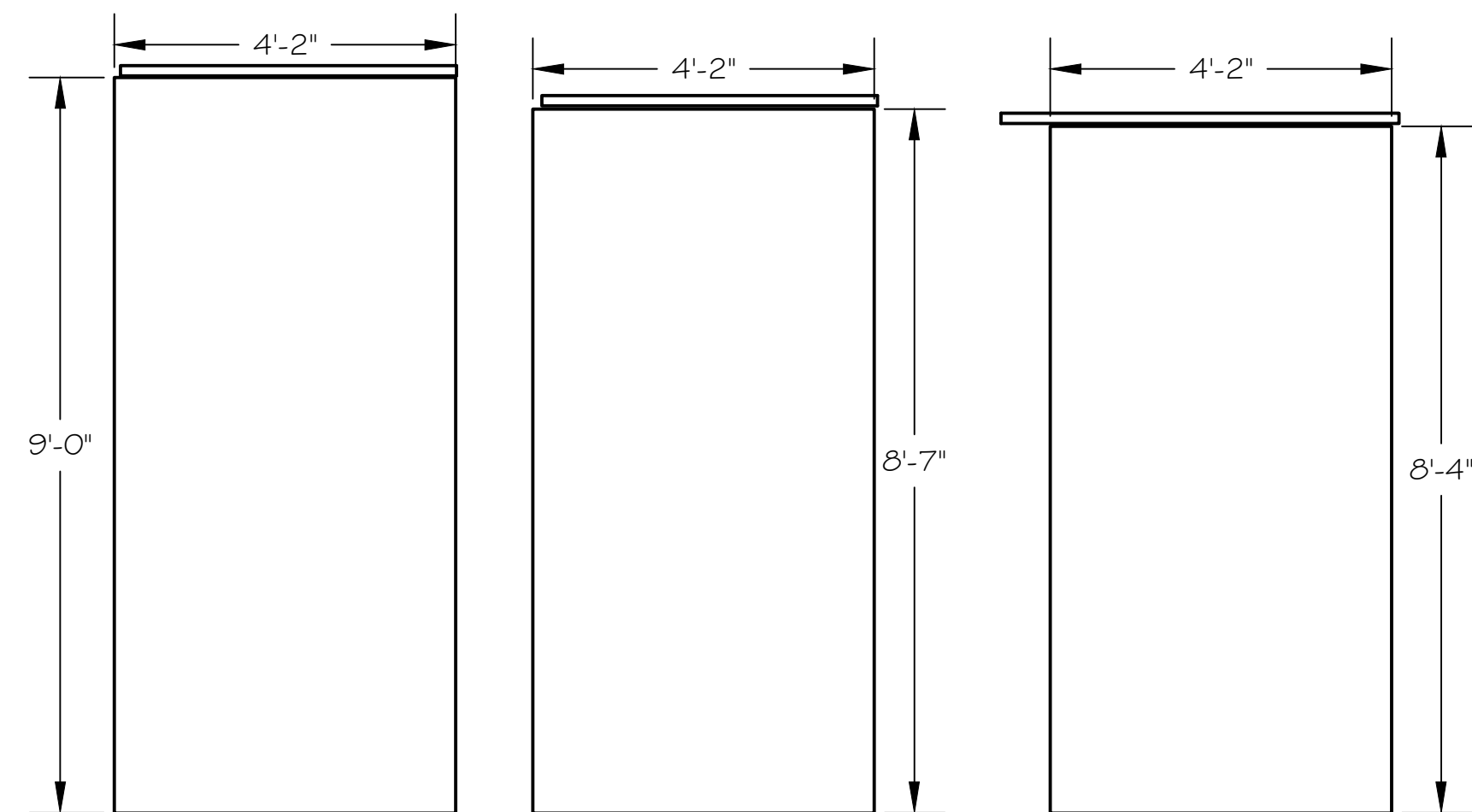


D.S. Arch

D.S. Arches
 Each column is a column from Lapin Agile. It is identified with its Lapin Label. The d.s. 1'-6" side is painted with a very light marble finish. The other three sides are finished in a semi-gloss dark wood stain - same as Lapin.

Headers finished on all sides the same very light marble as the d.s. wall sides.

A piece of metal drapery shown is behind each arch. See drapery notes to the right. Drapery rod and Header must be easily and securely attached so that it is easily removable for Lapin Agile. Discuss attachment techniques with designer before implementing.



Drapery D.S.

Tartuffe
 D.S. Arch Way



ACCOUNT EXECUTIVE

DRAWN BY
 T McClellan

DATE
 18 December 2014

SCALE:
 1/2"=1'-0"

DRAWING NUMBER

3

DRAWING DATA