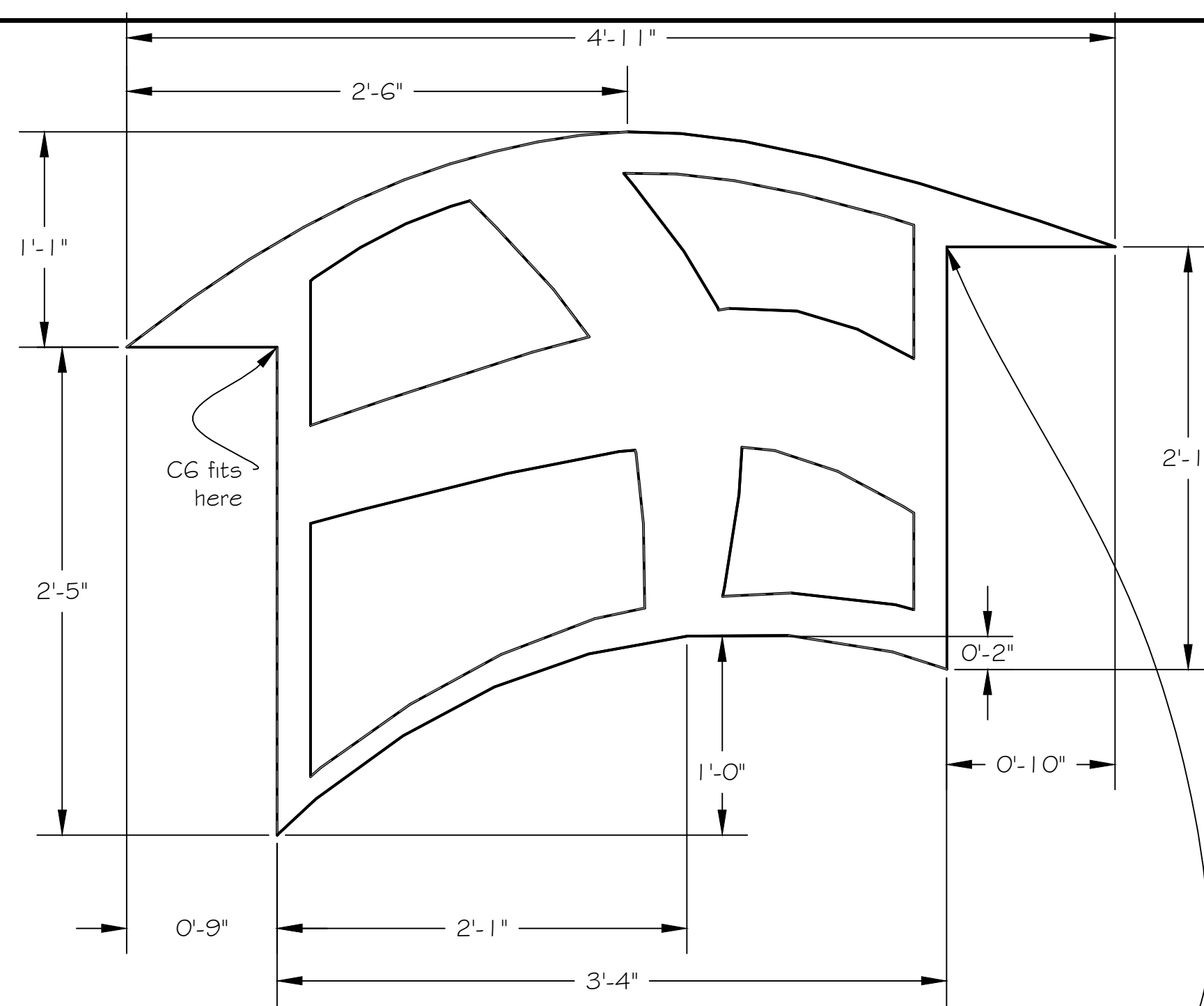


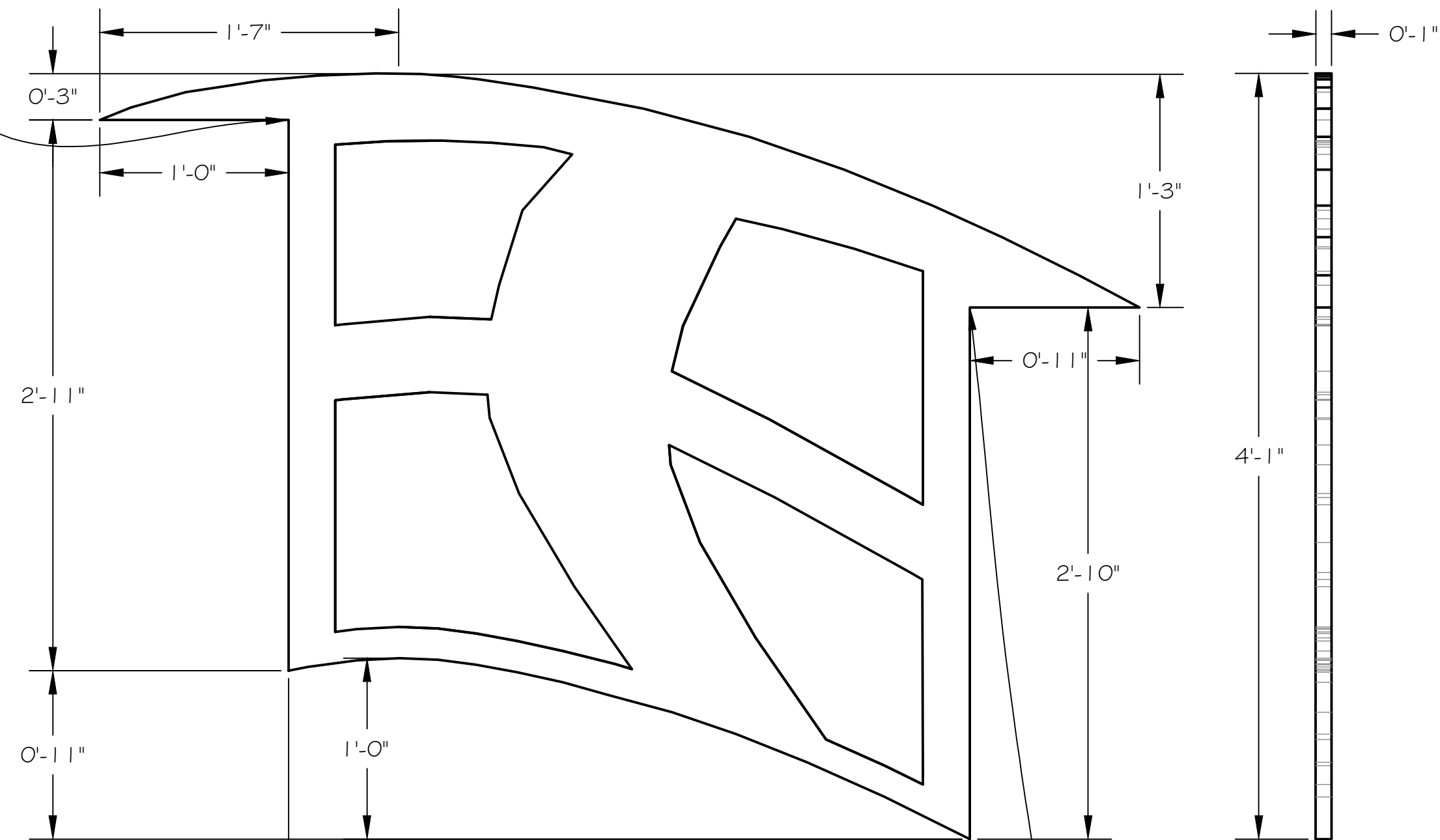
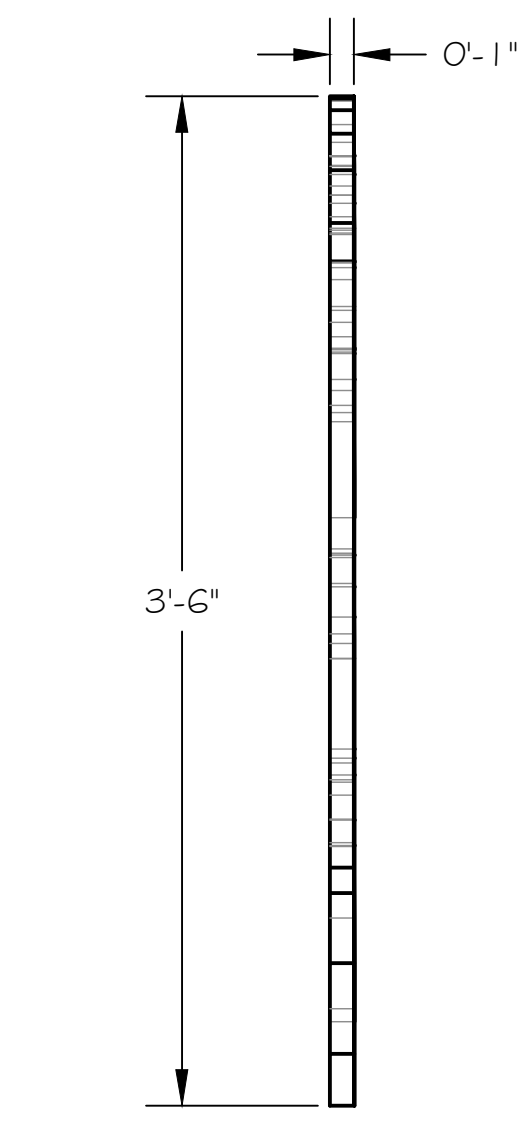
This is a representation of design concepts only! The designer takes no responsibility, and herewith disclaims liability, for the erection, engineering and/or use of any component or concept shown on this or any other drawing. It is the responsibility of the vendor companies to erect this design using properly engineered and approved materials, components and methods, including but not limited to local building, fire and safety codes, and all applicable O.S.H.A. standards.

All concepts, ideas, and design elements shown on this drawing and any other documentation are the exclusive intellectual property of Scenographix, Ltd., and may only be used for this project. Any other use is prohibited, unless express written permission has been granted by Scenographix, Ltd.



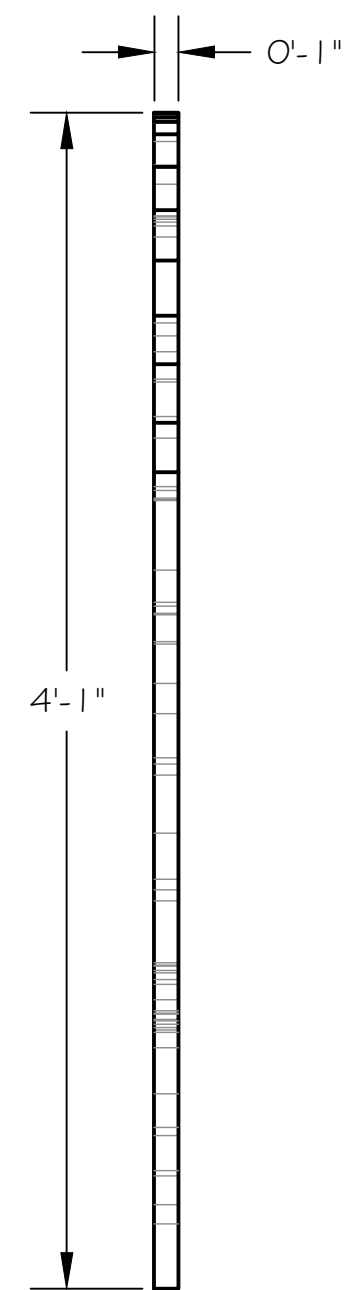
**Arch H1**

C5 Fits Here

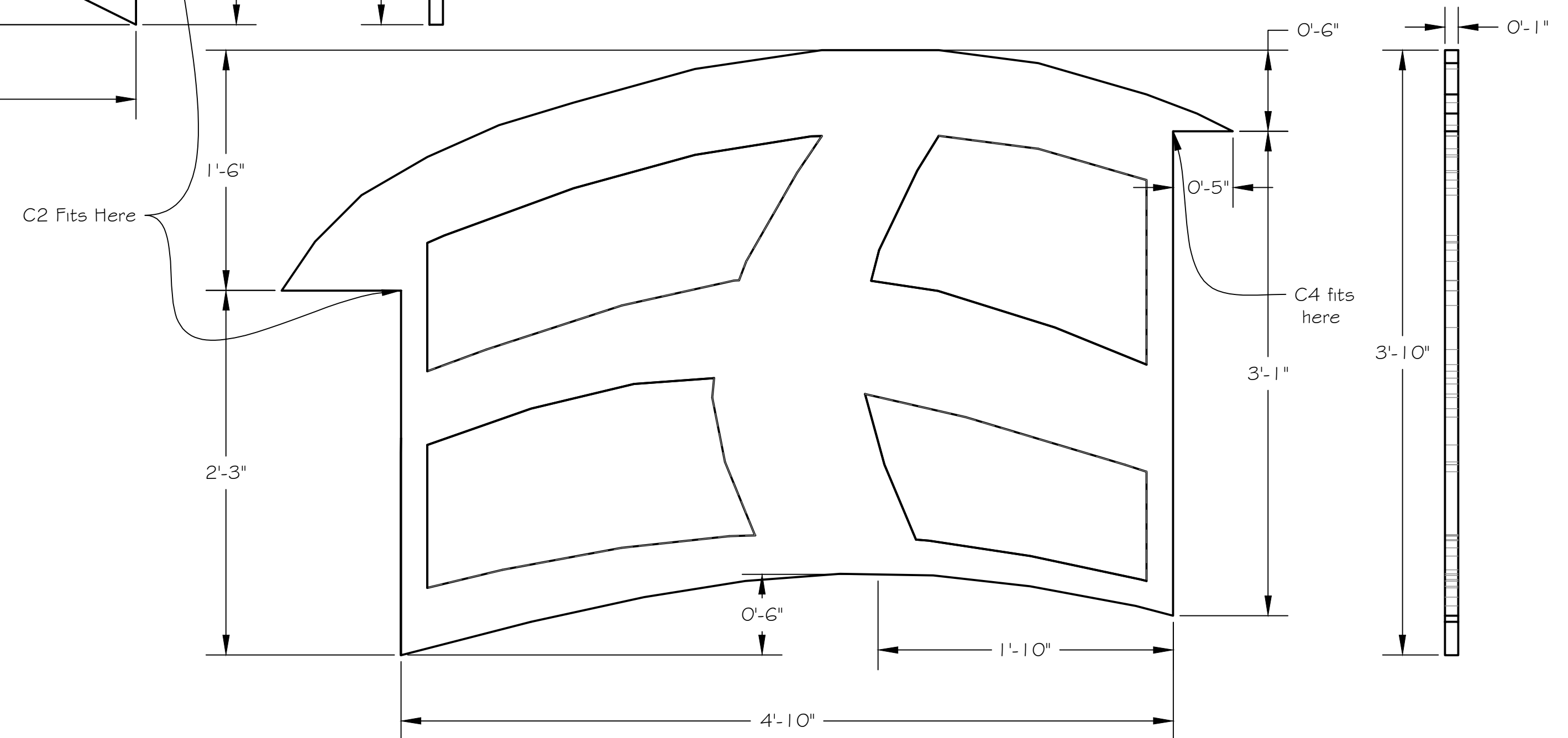


**Arch H2**

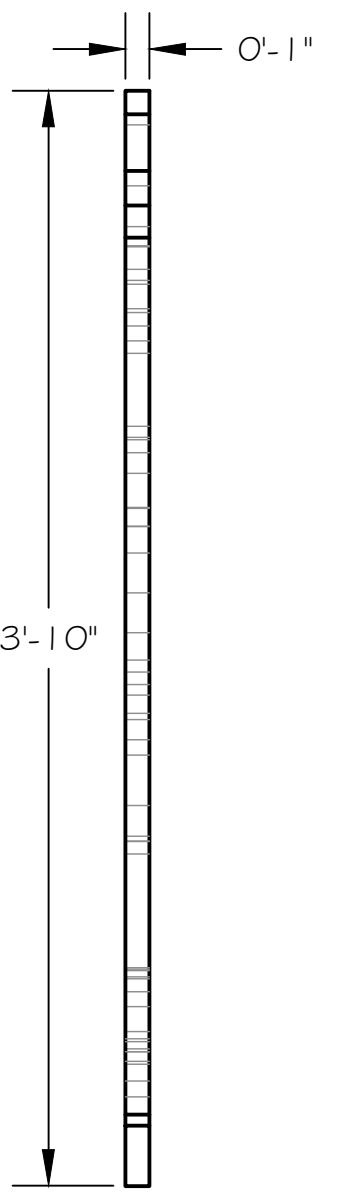
C2 Fits Here



Headers finished on all sides the same very light marble as the d.s. wall sides.



**Arch H3**



**Tartuffe**  
**Header Layouts**



ACCOUNT EXECUTIVE  
DRAWN BY  
T McClellan  
DATE  
10 January 2015  
SCALE:  
1 1/2"=1'-0" (1:8)  
DRAWING NUMBER

**4**

DRAWING DATA